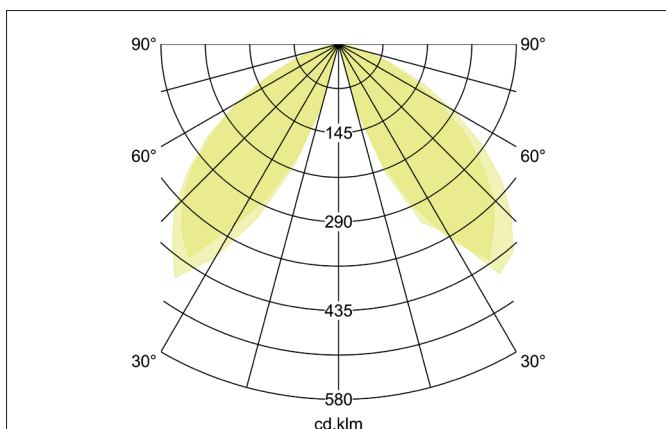
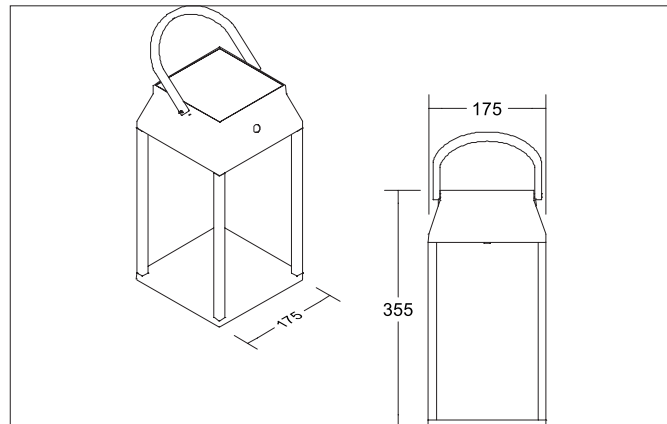


**CORIDON LED solar luminaire, IP44**

Article no. 65301103

Light.  
For Generations.**Tender**

LED solar luminaire, IP44, Rectangular. Luminaire length 223.0 mm, Luminaire width 175.0 mm, Height 360.0 mm Weight 1.974 kg, with rotationssymmetrical, deep, wide distributed light intensity. Luminous flux 156 lm, Power 1 x 3 W, Light colour warm white to warm white, Correlated color temperature (CCT) 3.000 - 3.000 K, Colour rendering index CRI > 80, Housing material: Aluminium / Glass / Plastic, Colour: Graphite structure, Permissible ambient temperature (ta): -20 °C - +25 °C, Protection class (EN 61140): II, Degree of protection (DIN EN 60529): . For direct connection to mains voltage, on/off switchable.

**Product Benefits**

2 x 2,200 mA lithium battery.

Charging time: Sun: 16 - 17 hrs.

Charging time: USB charge: 6 - 7 hrs.

Working time: 10 hrs.

**CORIDON LED solar luminaire, IP44**

Article no. 65301103

Light.  
For Generations.

Article data	
Article no.	65301103
GTIN	4251433982586
Series name	CORIDON
Short description	LED solar luminaire, IP44
Material	Aluminium / Glass / Plastic
Colour	Graphite
Type of surface	Structure
Shape	Rectangular
Length	223 mm
Width	175 mm
Hight	360 mm
Scope of delivery	incl. USB-C charging cable  Charging working time:  - 2 x 2,200 mA lithium battery.  - Charging time: Sun: 16 - 17 hrs.  - Charging time: USB charge: 6 - 7 hrs.
Weight	1.974 kg

Lighting technology	
Colour temperature	3.000 K
Light colour	White
Light output	Direct
Luminous flux	156 lm
System efficiency	52 lm/W
McAdam-Step	McAdam-Step 6
Colour rendering	CRI > 80
Light sharing	Symmetric
Adjustable color temperature	No

Operating technology of the luminaire	
System output	3 W
Voltage type	DC
DC nominal voltage max	3.7 V
Frequenz max.	50 Hz
Lamp	LED
Lamp holder	Without fitting
Protection class	II
Control	on/off
Bulb change possible	The light source of this luminaire may only be replaced by the manufacturer or a service technician commissioned by him or a similarly qualified person.

Mounting technology	
Mounting method	Surface mounting
Place of installation	Floor-mounted
Adjustability	Not adjustable
Further references	Outdoor
Suitable for through-wiring	No

**CORIDON LED solar luminaire, IP44**

Article no. 65301103

Light.  
For Generations.

Packing data	
Gross weight	2.194 kg
Length of packaging	530 mm
Packaging width	200 mm
Packaging height	200 mm
Disposal at end of life	<p>This product must not be disposed of with household waste. You are obliged, to dispose of such electrical waste separately.</p> <p>By disposing of electrical waste and other old or defective electronics separately, you support recycling or other forms of re-use. In that way you help to take care and to avoid that harmful substances get into the environment.</p>