

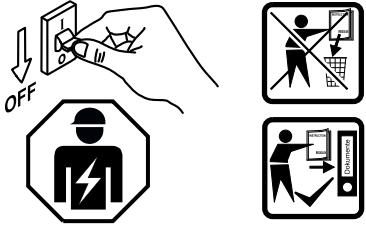
INSTRUCTION

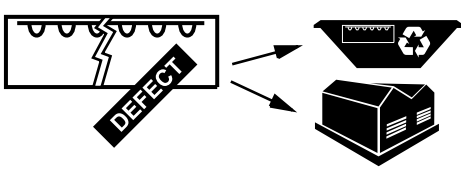
SDGU ballea-BAM/THLA

1801 5303 100

REGIOLUX

Regiolux GmbH
 Hellinger Str. 3
 D-97486 Königsberg/Bay.
 Telefon (0 95 25) 89-0
 Telefax (0 95 25) 89 73 4
<http://www.regiolux.de>
 e-Mail: info@regiolux.de





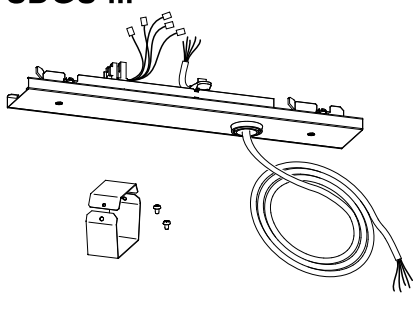
Achtung:
 Leuchte nicht öffnen!
 Garantieverlust!

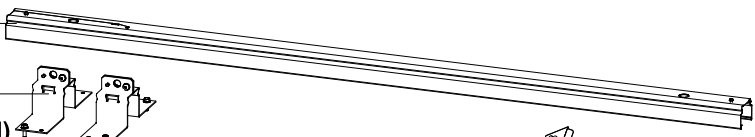
Attention:
 Don't open the luminaire!
 Loss of Guarantee!

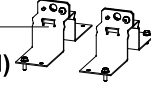
Attention:
 N'est pas ouvrir le luminaire,
 Perte de garantie!

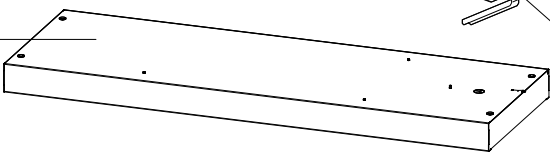
Atención:
 Non abrir la luminara!
 Pérdida de garantía!


SDGU ...




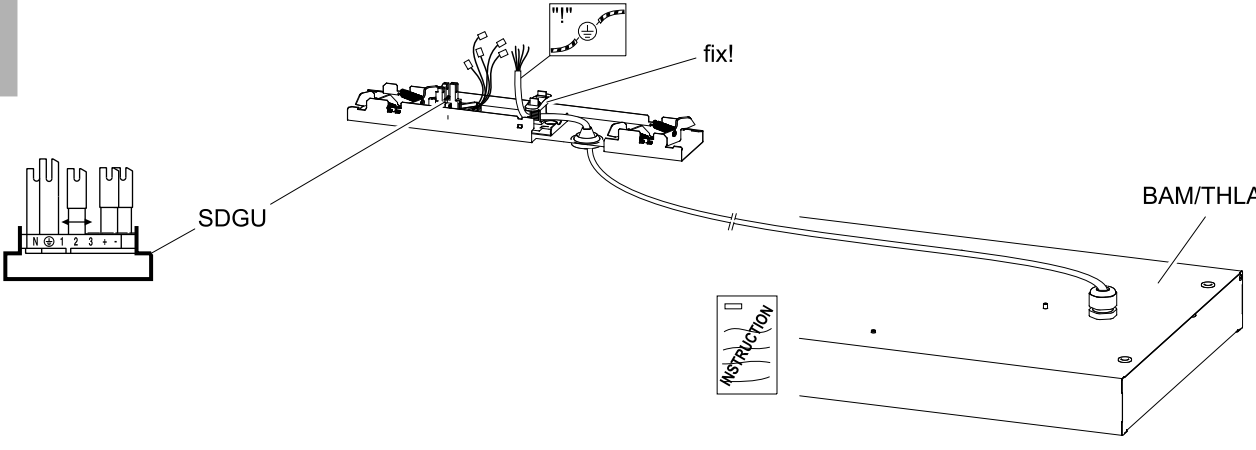
+SDT 


+BW-SDT (ballea-BAM) 

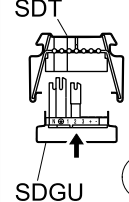
+BAM/THLA 

+SDLAD (THLA) 



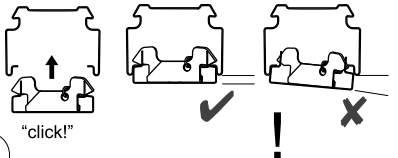





2 

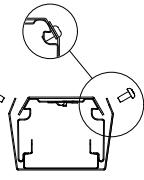
SDGU

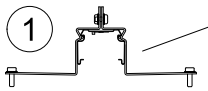
"click!"

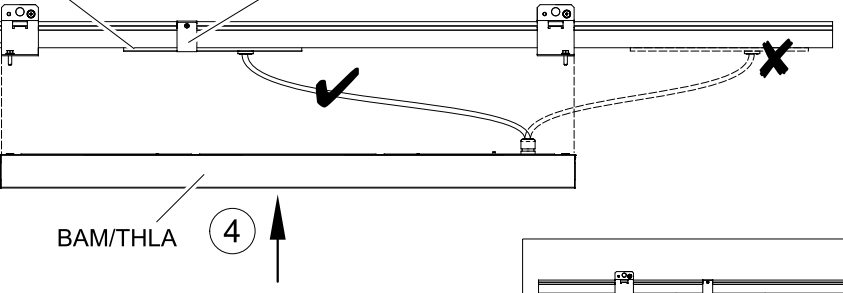


3 

Torx 20



1 

4 

BAM/THLA

