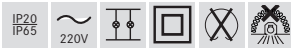
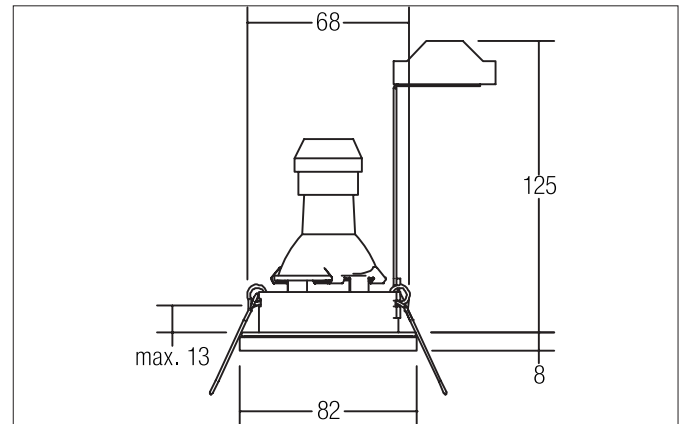
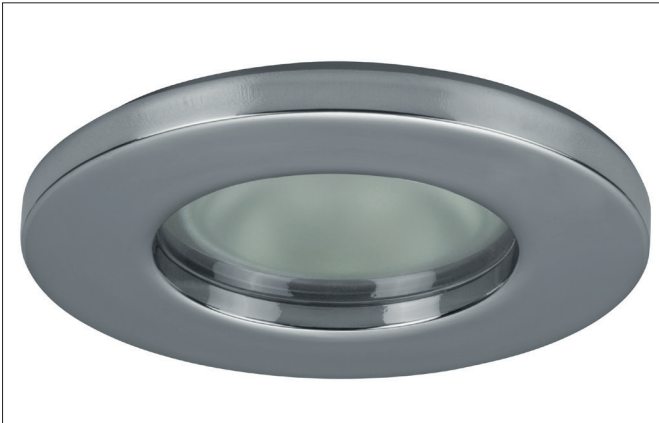


**OGDAN Recessed downlight, IP65, GU10**  
Article no. 36149020

Light.  
For Generations.



**Tender**

Recessed downlight, IP65, GU10, glossy chrome, Round. In a compact design, for installation in tool-less rapid assembly systems. Including bracket with GU10 socket for standard-compliant strain relief. Lamp holder: GU10, Mounting method: Recessed mounting, Place of installation: Ceiling-mounted, Material: Cast iron / Glass, Degree of protection: according to DIN EN 60529 IP65, Protection class: (EN 61140) II, Voltage: 230V AC 50Hz, Power: 50 W, Amount of light sources / fittings: 1 Qty, Adjustability: Not adjustable, without control gear, Control: Other.

Article data	
Article no.	36149020
GTIN	4250047780571
Series name	OGDAN
Short description	Recessed downlight, IP65, GU10
Material	Cast iron / Glass
Colour	Chrome
Type of surface	Glossy
Shape	Round
Outer diameter	80 mm
Built-in diameter	68 mm
Installation depth	125 mm
Height	7 mm
Weight	0.104 kg
Conformance	CE, UKCA

**OGDAN Recessed downlight, IP65, GU10**

Article no. 36149020

Light.  
For Generations.

Operating technology of the luminaire	
System output	50 W
Voltage type	AC
AC nominal voltage max	220 V
Frequency max	50 Hz
Lamp	For LED-retrofill lamp
Lamp holder	GU10
Protection class	II
Degree of protection	IP65
Protection class on the ceiling side	IP20
Control	Other
Bulb change possible	Yes

Mounting technology	
Mounting method	Recessed mounting
Place of installation	Ceiling-mounted
Adjustability	Not adjustable
Max. ceiling thickness	13 mm
Further references	No mounting box No cover with thermal insulation material
Material cover	Glass opal
Circlip	Without circlip

Packing data	
Gross weight	0.129 kg
Length of packaging	140 mm
Packaging width	110 mm
Packaging height	120 mm
Disposal at end of life	This product must not be disposed of with household waste. You are obliged, to dispose of such electrical waste separately. By disposing of electrical waste and other old or defective electronics separately, you support recycling or other forms of re-use. In that way you help to take care and to avoid that harmful substances get into the environment.