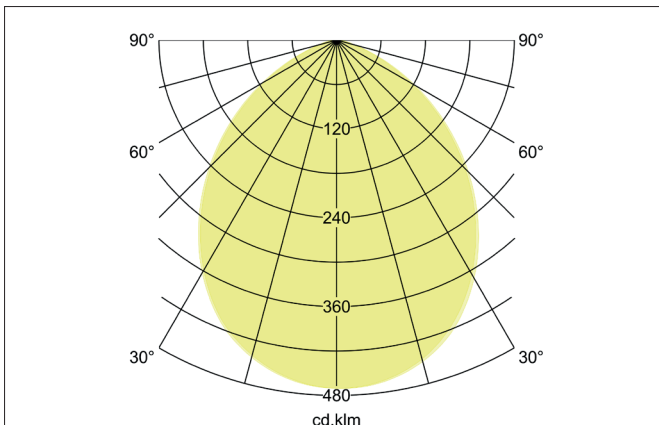
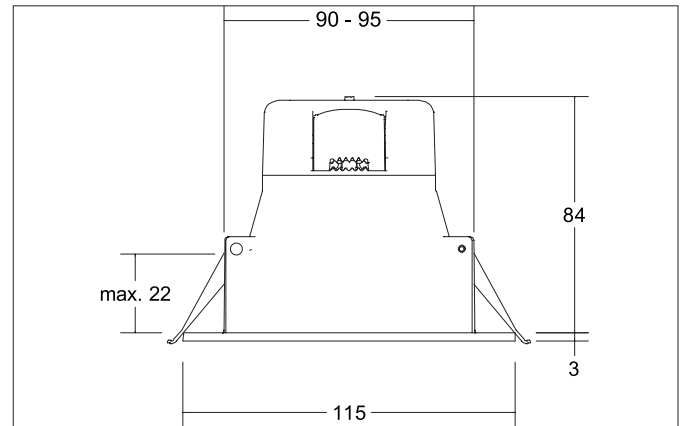


**ZULO MICRO LED recessed downlight, IP54**

Article no. 32026073

Light.  
For Generations.**Tender**

LED recessed downlight, IP54, Round. Ceiling cut-out Ø 90 mm, Installation depth 84 mm, Outer diameter 115 mm, Weight 0,159 kg, with rotationssymmetrical, deep, wide distributed light intensity. optimal light distribution due to a polycarbonat opal cover. Luminous flux 700 lm, Power 1 x 10 W, Light colour warm white to daylight white, Correlated color temperature (CCT) 3.000 - 5.700 K, Colour rendering index CRI > 80, Housing material: Plastic, Colour: White, Permissible ambient temperature (ta): -20 °C - +25 °C, Protection class (EN 61140): II, Degree of protection (DIN EN 60529): IP54, shock resistance according to IEC62262: IK03 .With electronic driver, on/off switchable.

**Product Benefits**

- Round recessed downlight made of plastic with opal plastic cover.
- Simple and toolless mounting due to the use of a plug-in terminal, which is also suitable for through-wiring.
- CRI > 80.
- Low mounting depth of 84 mm, diameter of 115 mm, Ceiling cut-out 90 mm.
- Protection class IP54 on the room side.
- Usable up to a maximum ceiling thickness of 22 mm.

**ZULO MICRO LED recessed downlight, IP54**

Article no. 32026073

Light.  
For Generations.

Article data	
Article no.	32026073
GTIN	4251433926047
Series name	ZULO MICRO
Short description	LED recessed downlight, IP54
Material	Plastic
Colour	White
Type of surface	Matt
Shape	Round
Outer diameter	115 mm
Built-in diameter	90 mm
Installation depth	84 mm
Scope of delivery	incl. converter for connection to 230 V mains voltage, on/off switchable
Weight	0.159 kg
stamp	UKCA
Conformance	CE, UKCA

Lighting technology	
Colour temperature	3.000 K / 4.000 K / 5.700 K
Light output	Direct
Luminous flux	700 lm
System efficiency	70 lm/W
Colour rendering	CRI > 80
Reflector	Without
Beam angle	90°
Light sharing	Symmetric
Adjustable color temperature	Stages

Operating technology of the luminaire	
System output	10 W
Voltage type	AC
AC nominal voltage max	230 V
Frequency max	50 Hz
Lamp	LED
Protection class	II
Degree of protection	IP54
Protection class on the ceiling side	IP40
Control	on/off
Bulb change possible	The light source of this luminaire may only be replaced by the manufacturer or a service technician commissioned by him or a similarly qualified person.

Mounting technology	
Mounting method	Recessed mounting
Place of installation	Ceiling-mounted
Adjustability	Not adjustable
Impact resistance	IK03
Further references	No cover with thermal insulation material
Material cover	Polycarbonat opal

**ZULO MICRO LED recessed downlight, IP54**  
Article no. 32026073Light.  
For Generations.

Packing data	
Gross weight	0.238 kg
Length of packaging	125 mm
Packaging width	125 mm
Packaging height	95 mm
Disposal at end of life	<p>This product must not be disposed of with household waste. You are obliged, to dispose of such electrical waste separately.</p> <p>By disposing of electrical waste and other old or defective electronics separately, you support recycling or other forms of re-use. In that way you help to take care and to avoid that harmful substances get into the environment.</p>