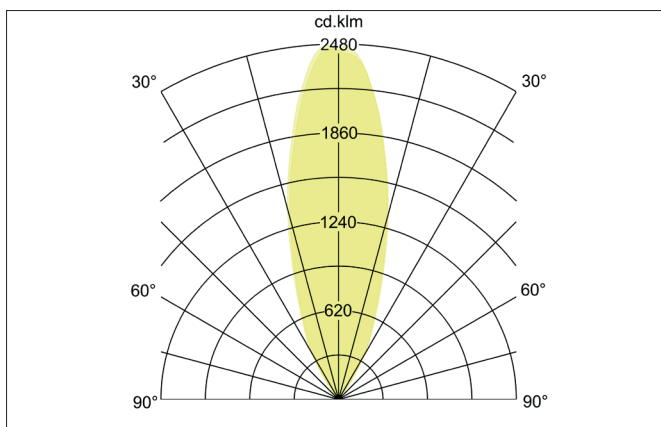
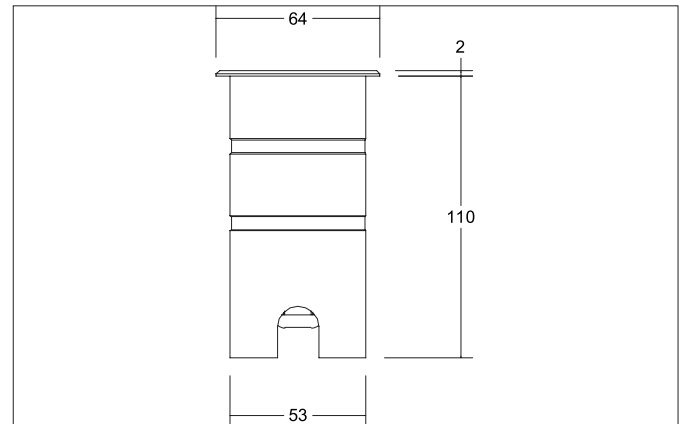


BOLED LED-floor recessed light, V4A, IP67

Article no. 14052223

Light.
For Generations.**Tender**

LED-floor recessed light, V4A, IP67, Round. Ceiling cut-out Ø 53 mm, Installation depth 110 mm, Outer diameter 65 mm, Weight 0,519 kg, with rotationssymmetrical, deep, wide distributed light intensity. optimal light distribution due to a glass transparent cover. Luminous flux 485 lm, Power 1 x 6 W, System Efficiency 81 lm/W, Light colour warm white, Correlated color temperature (CCT) 3.000 K, Colour rendering index CRI > 80, Housing material: Stainless steel V4A / Aluminium / Glass, Colour: Stainless steel, Permissible ambient temperature (ta): -20 °C - +25 °C, Protection class (EN 61140): I, Degree of protection (DIN EN 60529): IP67, shock resistance according to IEC62262: IK08. For connection to an external driver, which is not included in the scope of delivery of the luminaire. on/off switchable.

| Article data | |
|--------------------|--|
| Article no. | 14052223 |
| GTIN | 4251433926238 |
| Series name | BOLED |
| Short description | LED-floor recessed light, V4A, IP67 |
| Material | Stainless steel V4A / Aluminium / Glass |
| Colour | Stainless steel |
| Shape | Round |
| Outer diameter | 65 mm |
| Built-in diameter | 53 mm |
| Installation depth | 110 mm |
| Scope of delivery | incl. converter for connection to 230 V mains voltage, switchable, 1,000 mm connection cable with aquastop |
| Weight | 0.519 kg |

BOLED LED-floor recessed light, V4A, IP67

Article no. 14052223

Light.
For Generations.

| Lighting technology | |
|------------------------------|------------|
| Colour temperature | 3.000 K |
| Light colour | White |
| Luminous flux | 485 lm |
| System efficiency | 81 lm/W |
| Colour rendering | CRI > 80 |
| Reflector | High-gloss |
| Beam angle | 36° |
| Light sharing | Symmetric |
| Adjustable color temperature | No |

| Operating technology of the luminaire | |
|---------------------------------------|--|
| System output | 6 W |
| Voltage type | AC |
| AC nominal voltage max | 230 V |
| Frequency max | 50 Hz |
| Lamp | LED |
| Lamp holder | Without fitting |
| Protection class | I |
| Degree of protection | IP67 |
| Control | on/off |
| Bulb change possible | The light source of this luminaire may only be replaced by the manufacturer or a service technician commissioned by him or a similarly qualified person. |

| Mounting technology | |
|-----------------------|-------------------|
| Mounting method | Recessed mounting |
| Place of installation | Floor-mounted |
| Adjustability | Not adjustable |
| Max. load | 500 kg |
| Over rollable | No |
| Impact resistance | IK08 |
| stamp | UKCA |
| Further references | V4A |
| Material cover | Glass transparent |

| Packing data | |
|-------------------------|---|
| Gross weight | 0.568 kg |
| Length of packaging | 85 mm |
| Packaging width | 85 mm |
| Packaging height | 120 mm |
| Disposal at end of life | This product must not be disposed of with household waste. You are obliged, to dispose of such electrical waste separately. By disposing of electrical waste and other old or defective electronics separately, you support recycling or other forms of re-use. In that way you help to take care and to avoid that harmful substances get into the environment. |