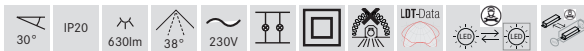
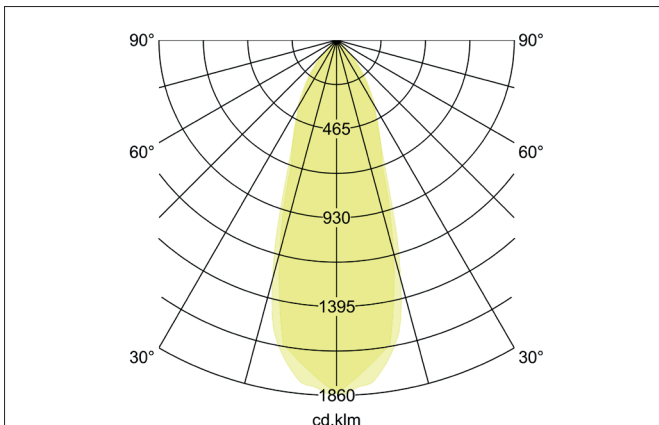
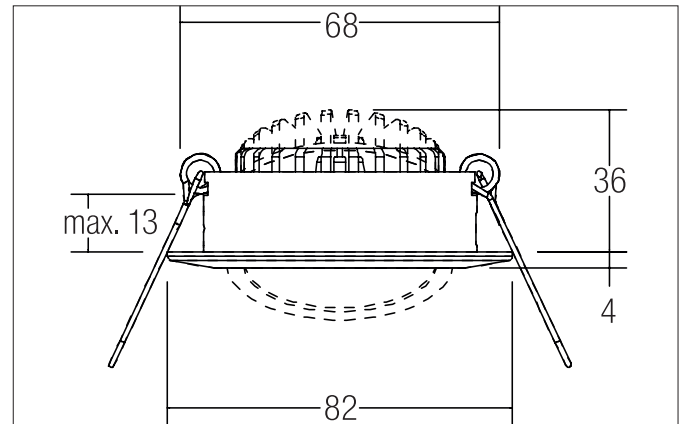


BB03 LED recessed spot set, DALI dimmable, incl. connection box

Article no. 41463183

Light.
For Generations.**Tender**

LED recessed spot set, DALI dimmable, incl. connection box, Round. Toolless ceiling installation by installation springs. Ceiling cut-out Ø 68 mm, Installation depth 36 mm, Outer diameter 82 mm, Weight 0,247 kg, Reflector silver with rotationssymmetrical, deep, wide distributed light intensity. optimal light distribution due to a polycarbonat clear cover. Luminous flux 630 lm, Power 1 x 6 W, Light colour warm white, Correlated color temprature (CCT) 3.000 K, Colour rendering index CRI > 80, Rated life time L80/B20 at 25 °C: 50.000 h, Housing material: Aluminium / Plastic, Colour: Black structure, Permissible ambient temperature (ta): -20 °C - +25 °C, Protection class (EN 61140): II, Degree of protection (DIN EN 60529): IP20, .With electronic driver, DALI-2 dimmable.

| Article data | |
|--------------------|--|
| Article no. | 41463183 |
| GTIN | 4251433954132 |
| Series name | BB03 |
| Short description | LED recessed spot set, DALI dimmable, incl. connection box |
| Material | Aluminium / Plastic |
| Colour | Black |
| Type of surface | Structure |
| Shape | Round |
| Outer diameter | 82 mm |
| Built-in diameter | 68 mm |
| Installation depth | 36 mm |
| Hight | 4 mm |
| Scope of delivery | Incl. 5-pole connection box |
| Weight | 0.247 kg |
| Conformance | CE, UKCA |

BB03 LED recessed spot set, DALI dimmable, incl. connection box

Article no. 41463183

Light.
For Generations.

| Lighting technology | |
|------------------------------|------------|
| Colour temperature | 3.000 K |
| Light colour | White |
| Light output | Direct |
| Luminous flux | 630 lm |
| System efficiency | 105 lm/W |
| Colour rendering | CRI > 80 |
| Reflector | High-gloss |
| Reflector colour | silver |
| Beam angle | 38° |
| Light sharing | Symmetric |
| Adjustable color temperature | No |

| Operating technology of the luminaire | |
|---------------------------------------|--|
| System output | 6 W |
| Voltage type | AC |
| AC nominal voltage max | 230 V |
| Frequency max | 50 Hz |
| Lamp | LED |
| Lamp holder | Without fitting |
| Protection class | II |
| Degree of protection | IP20 |
| Dimmable | Yes |
| Control | DALI-2 |
| Bulb change possible | The light source of this luminaire may only be replaced by the manufacturer or a service technician commissioned by him or a similarly qualified person. |
| Rated life time L80/B20 at 25 °C | 50.000 h |

| Mounting technology | |
|-----------------------------|---|
| Mounting method | Recessed mounting |
| Place of installation | Ceiling-mounted |
| Adjustability | Pivoted |
| Swivel angle | 30° |
| Max. ceiling thickness | 13 mm |
| Further references | No cover with thermal insulation material |
| Material cover | Polycarbonat clear |
| Suitable for through-wiring | Yes |

| Packing data | |
|-------------------------|---|
| Gross weight | 0.322 kg |
| Length of packaging | 140 mm |
| Packaging width | 110 mm |
| Packaging height | 120 mm |
| Disposal at end of life | This product must not be disposed of with household waste. You are obliged, to dispose of such electrical waste separately. By disposing of electrical waste and other old or defective electronics separately, you support recycling or other forms of re-use. In that way you help to take care and to avoid that harmful substances get into the environment. |