

# Signalling Devices

Audible signalling device Sounder  
In flameproof enclosure Increased safety  
8493/11-22-2 Art. No. 145308



- Horn: Directional/ max. 117 dB(A)
- Type of protection: Ex d / de
- Protection Class: IP66
- Robust aluminium enclosure with ABS horn
- 32 standardised preconfigured signal sounds (PFEER/ UKOOA compatible)
- 3 independent signal channel
- Installation accessories and U-bracket included

WebCode 8493A



Product Series 8493 is designed to provide an audible alarm which can be used to alert, warn or draw attention to machine malfunction/ start up or any number of safety related issues in hazardous areas. This directional audible signal device is designed for use in hazardous or harsh environments in Ex d / Ex de variants.

## Technical Data

### Explosion Protection

|                               |                        |
|-------------------------------|------------------------|
| Scope of validity             | European Union (ATEX)  |
| Application range (zones)     | 1<br>2<br>22           |
| ATEX gas certificate          | KEMA 02 ATEX 2150      |
| ATEX gas explosion protection | ⊕ II 2 G EEx de IIC T4 |
| Certificates                  | ATEX (DEK)             |

### Electrical Data

|                 |               |
|-----------------|---------------|
| Tolerance       | -25 – 25 %    |
| Frequency range | 420 – 2900 Hz |

### Acoustic Data

|                      |                      |
|----------------------|----------------------|
| Sound pressure level | max. 117 dB(A) @ 1 m |
| Tone selection       | Via DIL switch       |

### Ambient Conditions

|                     |                   |
|---------------------|-------------------|
| Ambient temperature | -50 °C ... +55 °C |
|---------------------|-------------------|

### Mechanical Data

|   |   |
|---|---|
| Degree of protection IP (IEC 60529)       | IP66  |
| Enclosure material                        | Aluminium   |
| Trumpet material                          | ABS   |
| Connection terminals solid max.           | 2.5 mm <sup>2</sup>                                 |
| Connection terminals finely-stranded max. | 2.5 mm <sup>2</sup>                                 |
| Cable gland                               | 2 drillings, M 20 or NPT 1/2" possible upon request |
| Width                                     | 165 mm  |
| Height                                    | 220 mm  |
| Length                                    | 326 mm  |
| Enclosure colour                          | Red   |

# Signalling Devices



Audible signalling device Sounder

In flameproof enclosure Increased safety

8493/11-22-2 Art. No. 145308

## Mechanical Data

|        |         |
|--------|---------|
| Weight | 4.14 kg |
| Weight | 9.13 lb |

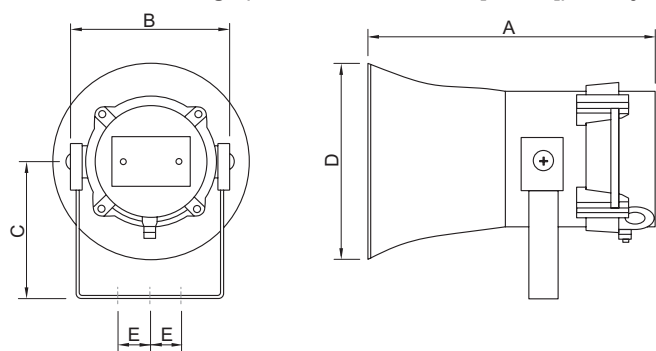
## Mounting / Installation

|                         |                 |
|-------------------------|-----------------|
| Material mounting parts | Stainless steel |
|-------------------------|-----------------|

## Components

|               |                               |
|---------------|-------------------------------|
| Drilled holes | According to the order        |
| Cable entries | Can be ordered as accessories |
| Stopping plug | Can be ordered as accessories |

## Dimensional Drawings (All Dimensions in mm [inches]) – Subject to Alterations



We reserve the right to make alterations to the technical data, dimensions, weights, designs and products available without notice. The illustrations cannot be considered binding.