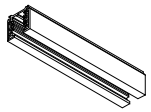
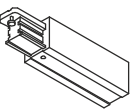
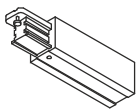
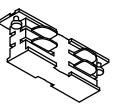
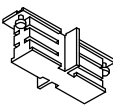
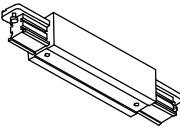
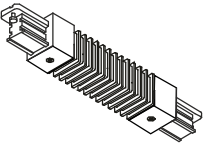
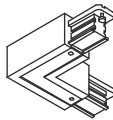
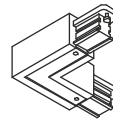
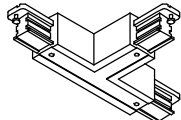
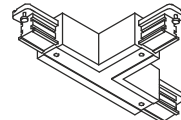
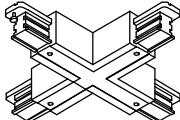
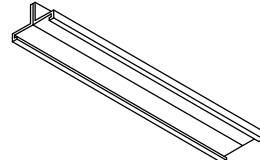

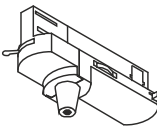
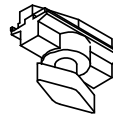


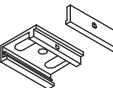
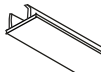



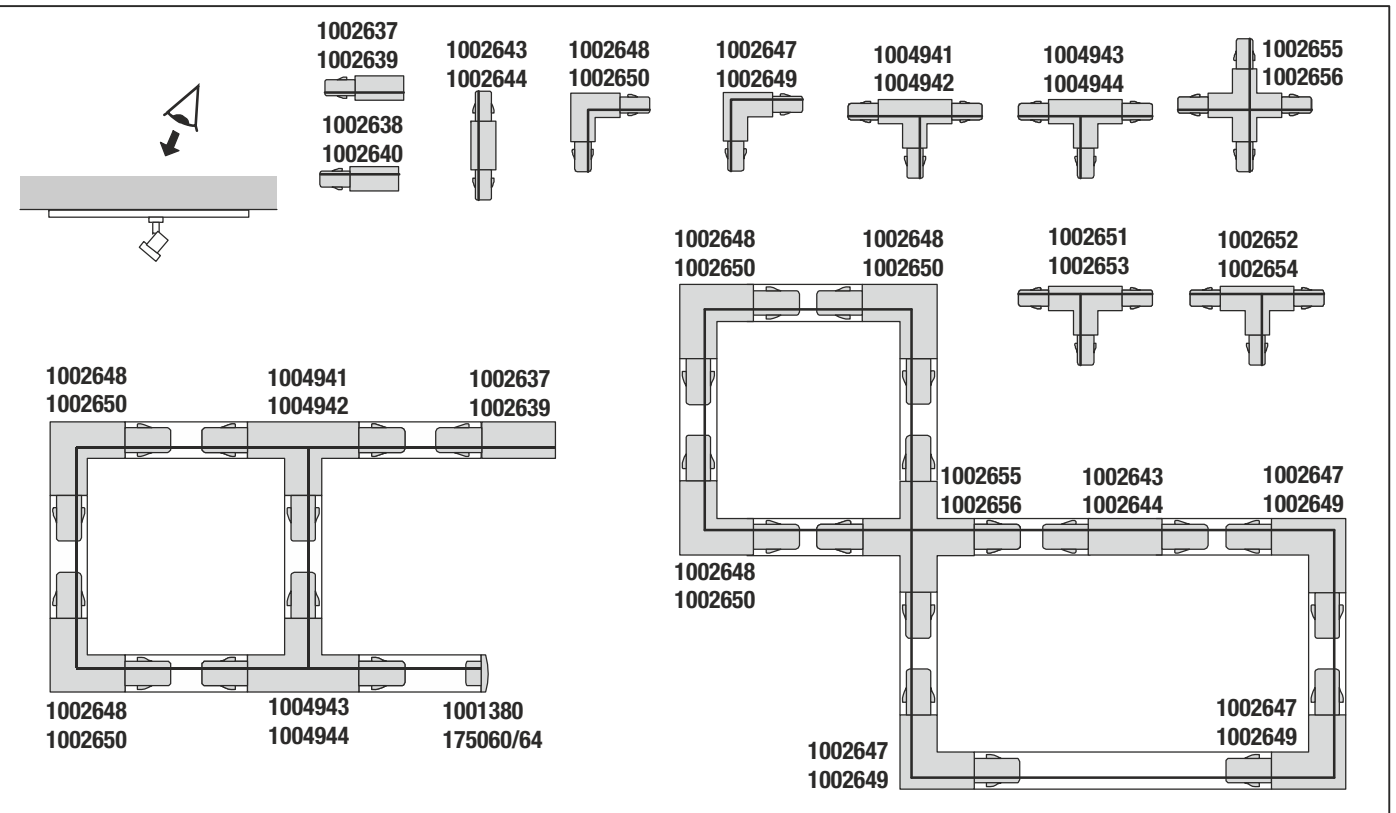
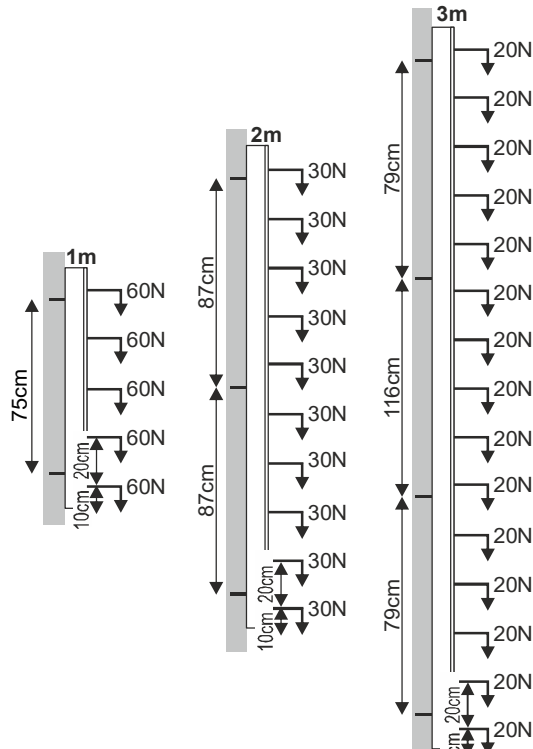
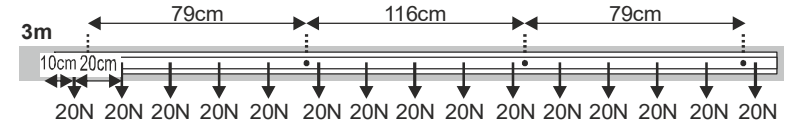
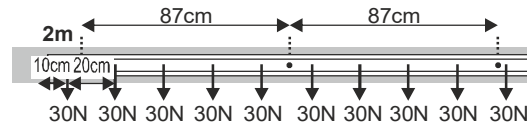
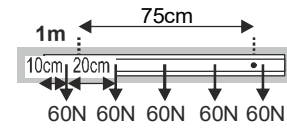
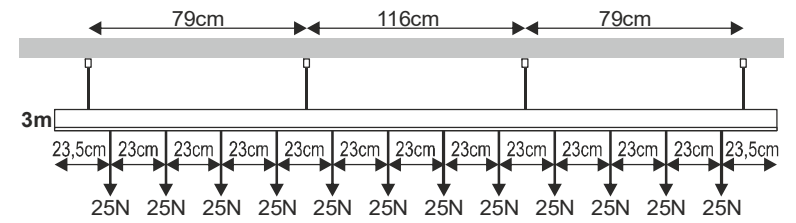
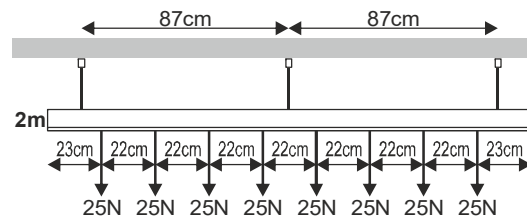
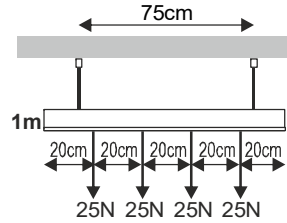
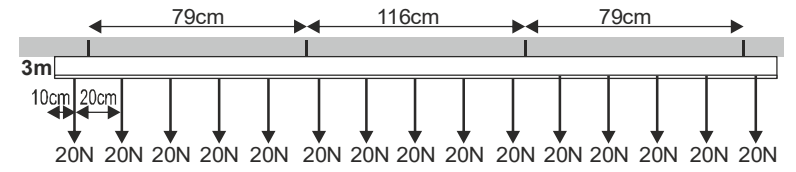
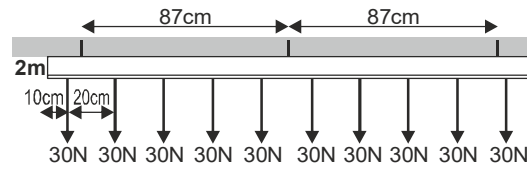
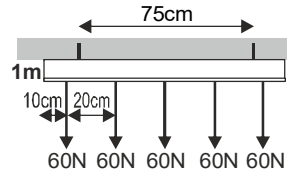
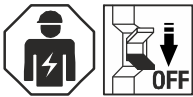


BETRIEBSANLEITUNG FÜR SLV 3-PHASEN STROMSCHIENE S-TRACK DALI	OPERATING MANUAL FOR SLV 3-PHASE TRACK S-TRACK DALI	MODE D'EMPLOI POUR SLV SYSTEME DE RAIL 3 ALLUMAGES S-TRACK DALI	INSTRUCCIONES DE SERVICIO PARA SLV CARRIL 3 FASES S-TRACK DALI
ISTRUZIONI DI FUNZIONAMENTO PER SLV LAMPADA PER SISTEMI BINARIO TRIFASE S-TRACK DALI	GEbruIKSHANDLEIDING VOOR SLV 3 FASE-RAIL S-TRACK DALI	INSTRUKTIONSVEJLEDNING FOR SLV STRØMSKINNESYSTEMER 3 FASET S-TRACK DALI	INSTRUKCJA OBSŁUGI DLA SLV LAMPY DLA TRÓJFAZOWEJ SZYNY PRĄDOWEJ S-TRACK DALI
РУКОВОДСТВО ПО ЭКСПЛУАТАЦИИ SLV 3-ФАЗНОЙ ТОКОВЕДУЩЕЙ ШИНЫ S-TRACK DALI	BRUKSANVISNING FÖR SLV 3-FAS STRÖMSKENA S-TRACK DALI	SLV 3 FAZLI AKIM RAYI 230V IÇIN KULLANMA KILAVUZU S-TRACK DALI	KEZELESI ÚTMUTATÓ SLV 3 FÁZISÚ SÍNHEZ S-TRACK DALI

 1002631 ...32 ...33 ...34 ...35 ...36 1004937 ...38	 1002637 ...39	 1002638 ...40	 1002641 ...42	 1001382 175080 ...84	 1002643 ...44	 1002645 ...46
 1002647 ...49	 1002648 ...50	 1002651 ...53 1004943 ...44	 1002652 ...54 1004941 ...42	 1002655 ...56	 1001392 175180 ...84	 1001393 175190 ...94
 1002659 ...60	 1001395 175210 ...14	 1001390 175160 ...64	 1001391 175170 ...74	 1002657 ...58	 1004939 ...40	

220V-250V ~50/60Hz 16A / 10A max.   





1002647 ...48
1002649 ...50

1002651 ...52
1002653 ...54
1004941 ...42 ...43 ...44

1002655 ...56

1002645

1002641 ...42

1001382
175080 ...84

1002643 ...44

1001380
175060 ...64

1002657
1002658

1

2

1002637 ...38
1002639 ...40

8 mm

1,5 - 2,5 mm²

20 mm

L3 N L3
L2 L1 L2

DALI (D)

1002638 1002637
1002640 1002639

1001395
175210/14
max. 100N

1001391 175170 ...74 1001390 175160 ...64

2a. 2b.

3a. 3b.

4a. 4b.

10mm min.

1001390
175160 ...64
1001391
175170 ...74

2

1

2

1002641 ...42
1001382
175080 ...84

1001392
175180 ...84

