

seal

M25

M25x1,5

19300161231
XXXXXXXXXX
Type 4X/12 enclosure

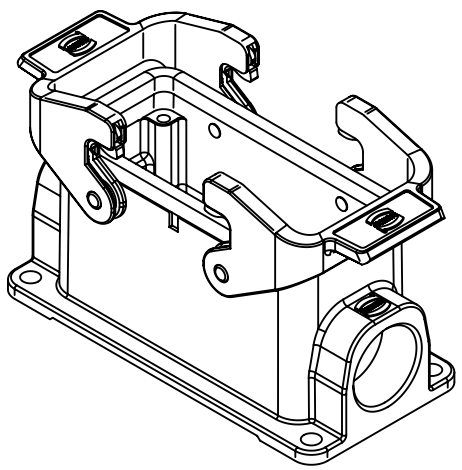
105

117

10,7

55,8

Ø5,6



	All Dimensions in mm Original Size DIN A4		Scale 1:1	Free size tol.		Ref.		
						Sub.		
	All rights reserved		Created by GERB	Inspected by BERGHORN	Standardisation SCHMIDTM	Date 2016-06-29	State Final Release	
	Department EL PD - DE		Title Han B Base Surface LC 2 Levers 1 x M25				Doc-Key / ECM-Nr. 100633341/UGD/002/B 500000103572	
HARTING Electric GmbH & Co. KG D-32339 Espelkamp			Type TB	Number 19 30 016 1231			Rev. B	Page 1/1