

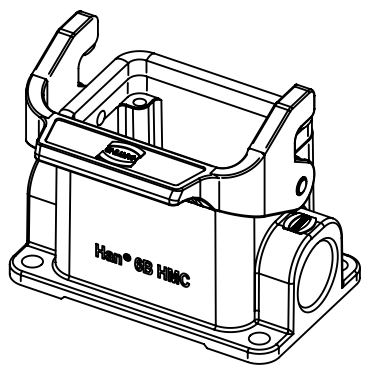
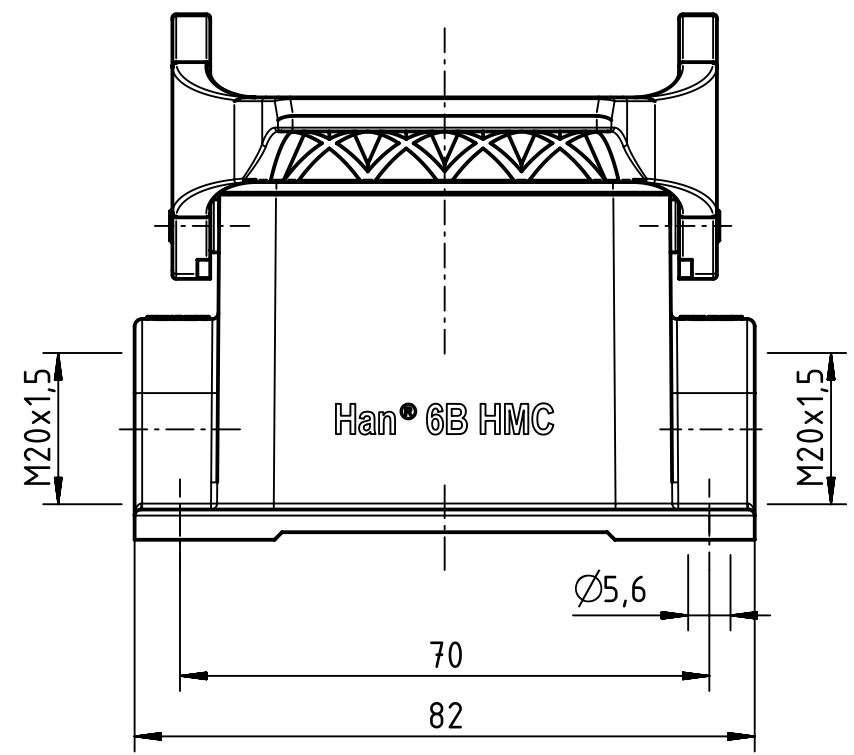
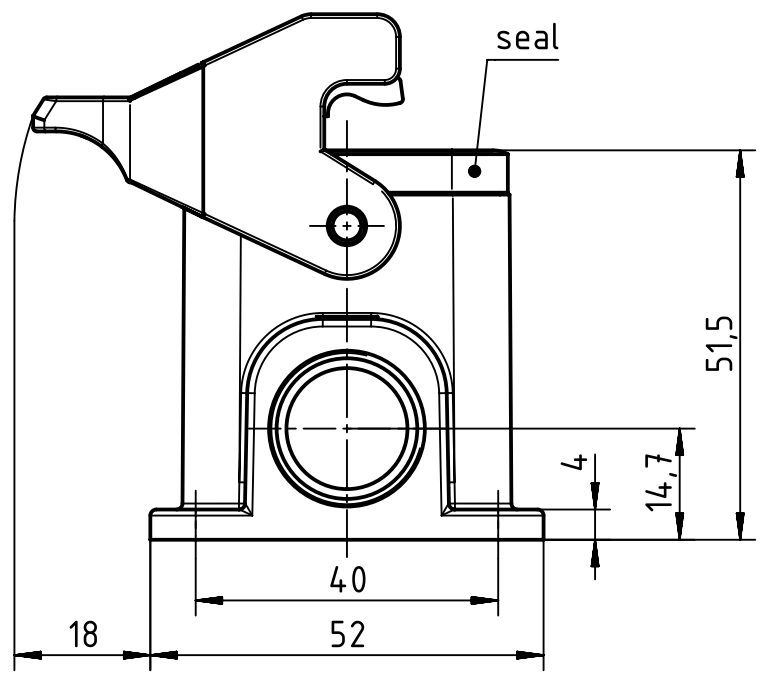
1 2 3 4 5 6


A

B

C

D



	All Dimensions in mm Original Size DIN A4		Scale 1:1		Free size tol.		Ref.			
	All rights reserved Department EL PD - DE		Created by RULLKOETTER		Inspected by SUNDERMEIER		Standardisation RUETERA			
HARTING Electric GmbH & Co. KG D-32339 Espelkamp		Title Han 6B-HMC-asg2-LB-M20					Date 2017-01-24		State Final Release	
		Type TB					Number 19 30 206 1290		Doc-Key / ECM-Nr. 100705972/UGD/004/A 500000113955	
							Rev. A		Page 1/1	