

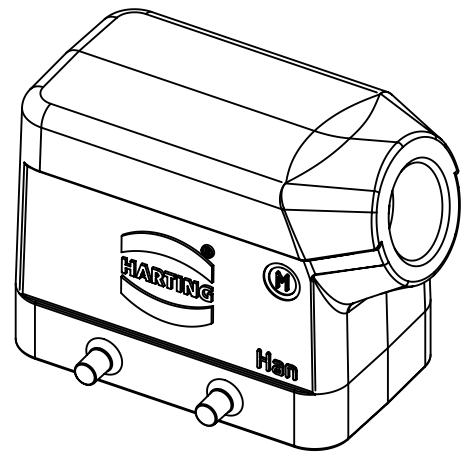
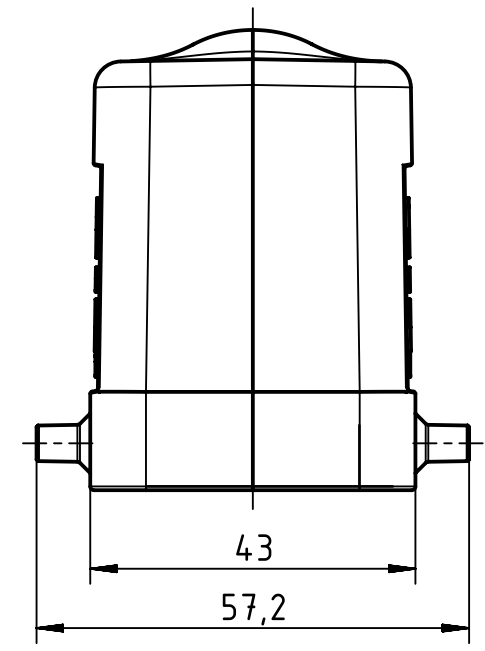
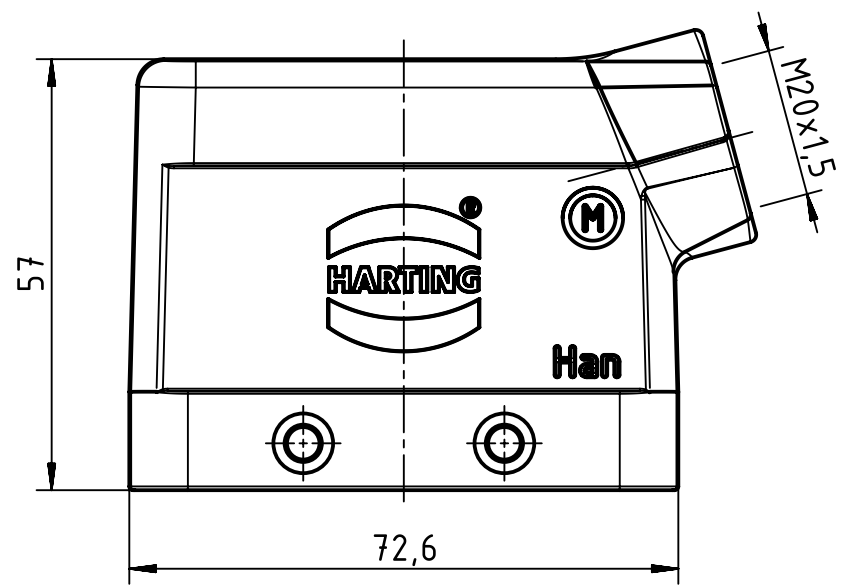
1 2 3 4 5 6


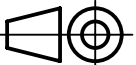


A

B

C

D



	 All Dimensions in mm Original Size DIN A4	Scale 1:1	Free size tol.		Ref.	
	 All rights reserved Department EL PD - DE	Created by SPRENB	Inspected by BERGHORN	Standardisation TIEMANNA	Date 2015-10-15	State Final Release
 HARTING Electric GmbH & Co. KG D-32339 Espelkamp		Title Han 3HvE-gs-M20			Doc-Key / ECM-Nr. 100200958/UGD/004/B 500000095422	
		Type TB	Number 19 34 003 0520		Rev. B	Page 1/1