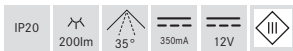
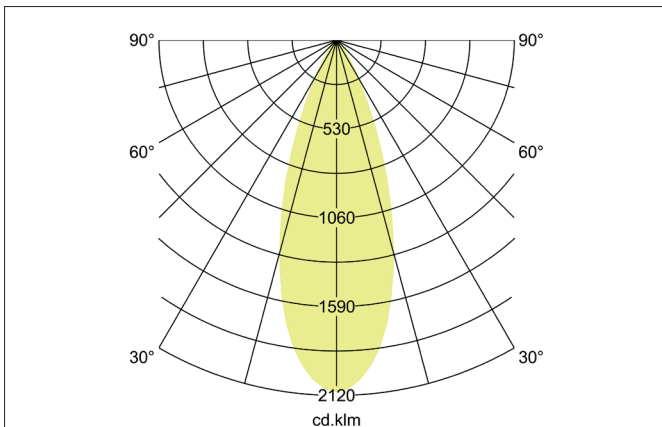
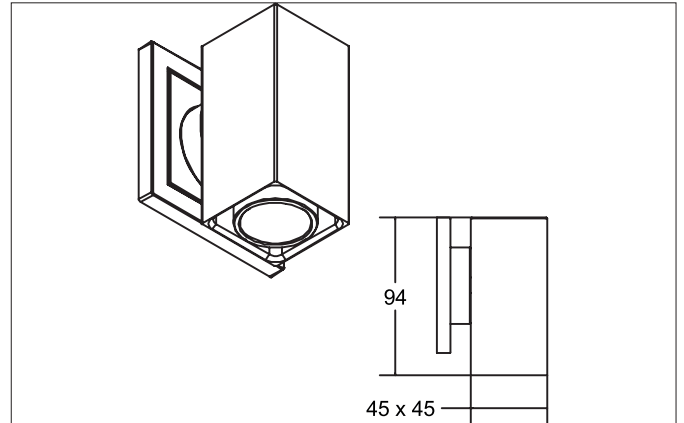


MINIQ Plug & Light LED wall surface mounted luminaire
 Article no. 10701183

Light.
 For Generations.



Tender
 Plug & Light LED wall surface mounted luminaire, black structure, Rectangular. Surface mounting, Wall-mounted Attention: only to be used in combination with the Plug & Light system of GIRA and JUNG. Dimming function can be actuated using corresponding components from GIRA or JUNG. Mounting method: Surface mounting, Place of installation: Wall-mounted, Material: Aluminium / Glass, Degree of protection: according to DIN EN 60529 IP20, Protection class: (EN 61140) III, Voltage: 12V, Power: 4 W, Amount of light sources / fittings: 1 Qty, Luminous flux : 200 lm, Colour temperature: 3.000 K, Beam angle: 35°, Adjustability: Rotable, Dimmable: Depending on type of control gear, Control: Other.

Article data	
Article no.	10701183
GTIN	4251433923404
Series name	MINIQ
Short description	Plug & Light LED wall surface mounted luminaire
Material	Aluminium
Colour	Black
Type of surface	Structure
Shape	Rectangular
Width	45 mm
Height	95 mm
Weight	0.340 kg

MINIQ Plug & Light LED wall surface mounted luminaire

Article no. 10701183

Light.
For Generations.

Lighting technology	
Colour temperature	3.000 K
Light colour	White
Light output	Direct
Luminous flux	200 lm/m
System efficiency	50 lm/W
Colour rendering	CRI > 85
Reflector	Without
Beam angle	35°
Glare evaluation	UGR < 19
Light sharing	Symmetric

Operating technology of the luminaire	
System output	4 W
Voltage type	DC
DC nominal voltage max	12 V
Current	350 mA
Lamp	LED
Protection class	III
Degree of protection	IP20
Dimmable	Depending on type of control gear
Control	Other
Bulb change possible	Yes

Mounting technology	
Mounting method	Surface mounting
Place of installation	Wall-mounted
Adjustability	Rotable
Rotation angle	360°
Material cover	Plastic, structured

Packing data	
Gross weight	0.424 kg
Length of packaging	140 mm
Packaging width	110 mm
Packaging height	120 mm
Disposal at end of life	This product must not be disposed of with household waste. You are obliged, to dispose of such electrical waste separately. By disposing of electrical waste and other old or defective electronics separately, you support recycling or other forms of re-use. In that way you help to take care and to avoid that harmful substances get into the environment.