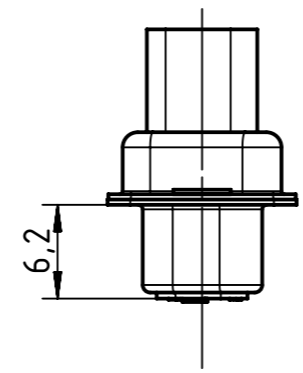
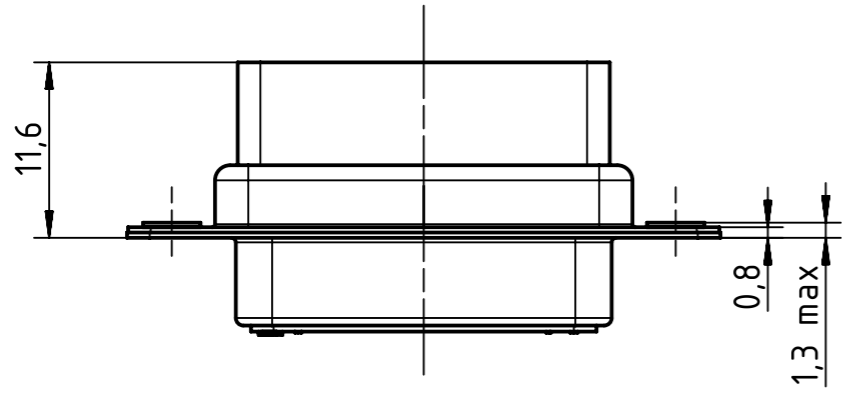
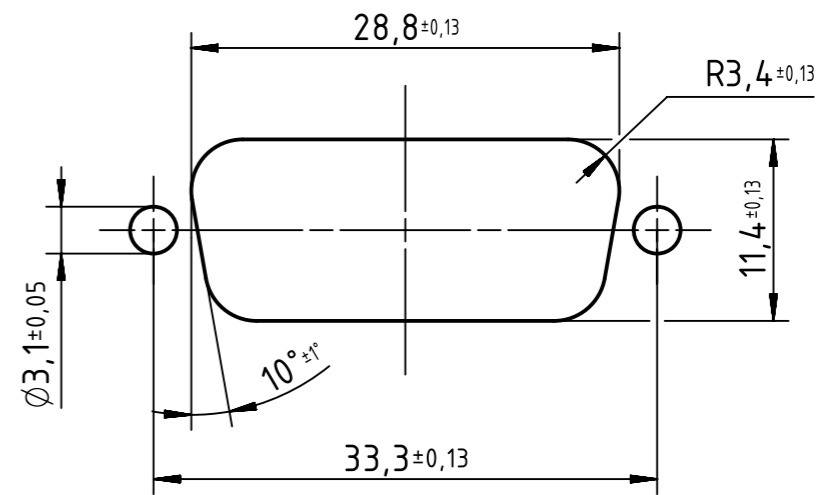
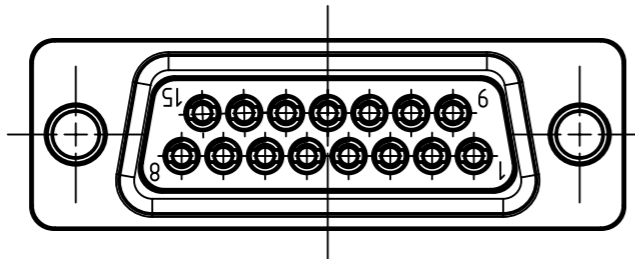
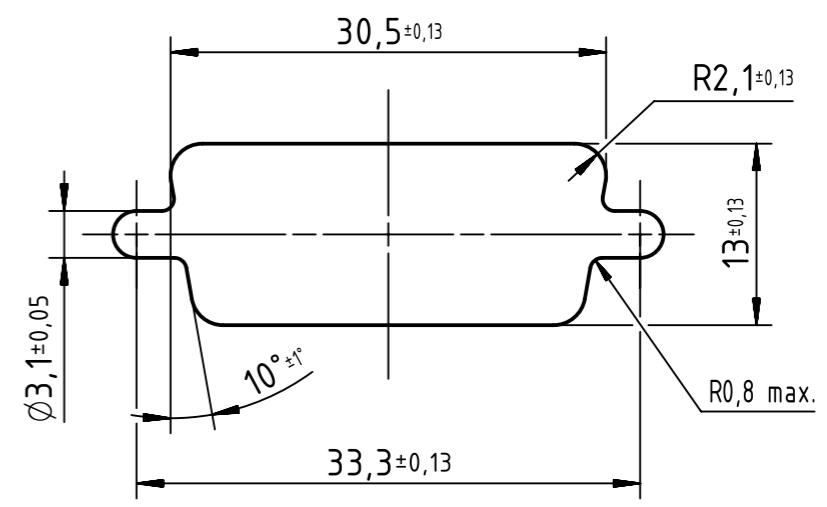


Rear mounting panel cut out



Front mounting panel cut out



	All rights reserved		Created by ZHUANGJ		Inspected by LUOK		Standardisation HOFFMANN		Date 2017-04-06		State Final Release		
	Department EC PD - CN		Title D-Sub crimp 15-pole female assembly		Doc-Key / ECM-Nr. 100235539/UGD/001/B 500000117639		Rev. B		Page 1/1				
HARTING Electronics GmbH		Type TB		Number 09670154701									
D-32339 Espelkamp													