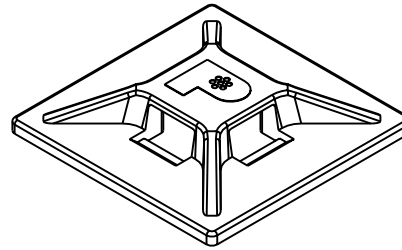
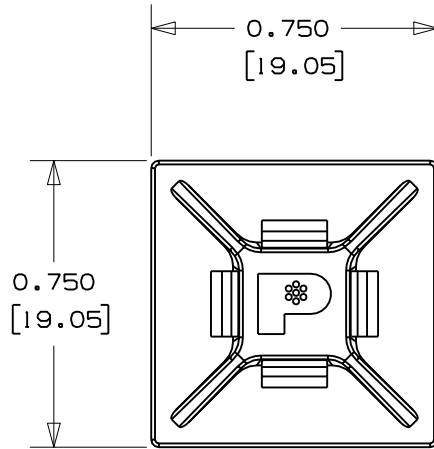


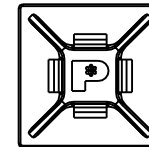
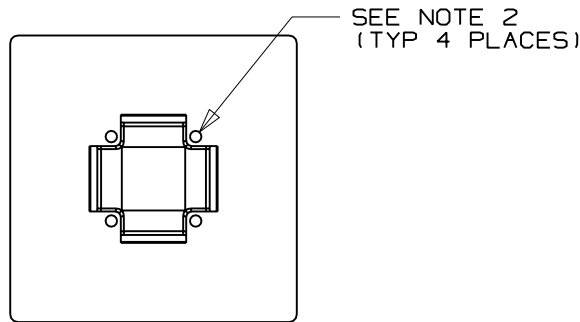
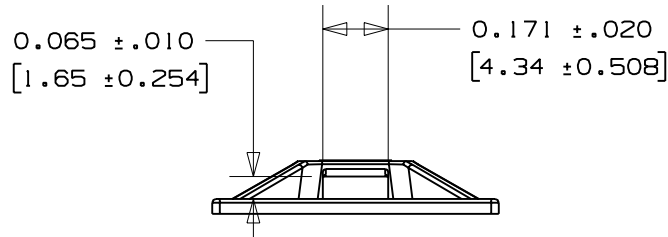
THIS COPY IS PROVIDED ON A RESTRICTED BASIS AND IS NOT TO BE USED IN ANY WAY DETRIMENTAL TO THE INTERESTS OF PANDUIT CORP.




PANDUIT PART NO. *	USE WITH THESE CABLE TIE CROSS SECTIONS	WEIGHT lbs (g)/100 pcs
ABMM	MINIATURE INTERMEDIATE	0.089 (40.37)

NOTES:

- 1) SEE CURRENT PRICE SHEET FOR PART NUMBER SUFFIX DESIGNATION FOR PACKAGE SIZE AND PART COLOR.
- 2) AS DEPICTED, SMALL BLIND HOLES MAY BE VISIBLE DUE TO CORE PINS.



ACTUAL SIZE

(DIMENSIONS IN PARENTHESES ARE IN METRIC.)	
CAD FILENAME/LAYERS	G00239GC_PB_ABMM_05
 PANDUIT CORP. TINLEY PARK, ILLINOIS	
<h1>ABMM MOUNT</h1>	

REV	DATE	BY	CHK	DESCRIPTION	ECN	R	CUST	SUP
5	7/17/06	JAD		UPDATE WEIGHT	GB0239GC	5		

UNLESS OTHERWISE SPECIFIED, DIMENSIONAL TOLERANCES ARE: (.X) ± ---- (.XXX) ± .020(.51) (.XX) ± .02(.5) ANGLES ± ----		UNLESS OTHERWISE SPECIFIED, ALL DIMENSIONS ARE GIVEN IN INCHES, THIRD ANGLE PROJECTION.	
DRAWN BY CGSM	MAT'L: ABS (ACRYLONITRILE BUTADIENE STYRENE)		SCALE NONE
DATE 2-1-99	CHK'D		DRAWING NO. GB0239GC
			DWG A SIZE