



Paulmann

Safety Instructions

1, 2, 3, 4, 5, 6, 7, 10, 12, 13, 15, 16, 19, 20, 21, 22, 24, 28, 33, 34



31.08.2021

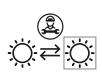


ENERGY CLASS A++ - A

01.09.2021



ENERGY CLASS G



www.paulmann.com/symbols

Paulmann Licht GmbH
Quezinger Feld 2
31832 Springe
Germany



www.paulmann.com

Art.-Nr.: 934.57/58

934.59/60

934.63/61

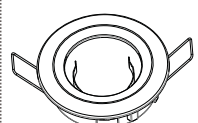
934.62

944.73

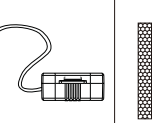
(+MA326) PSU 07/22



934.57/934.59

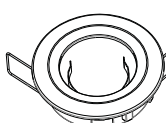


1x

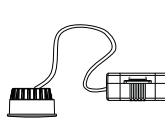


Incl.

934.58/934.60/934.63/944.73

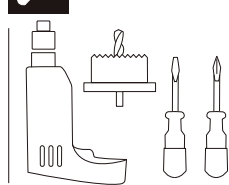


3x

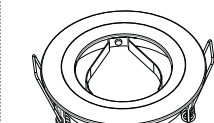


3x

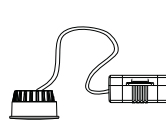
Incl.



934.61



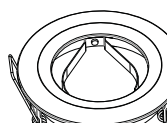
1x



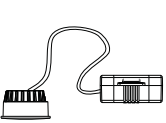
1x

Incl.

934.62

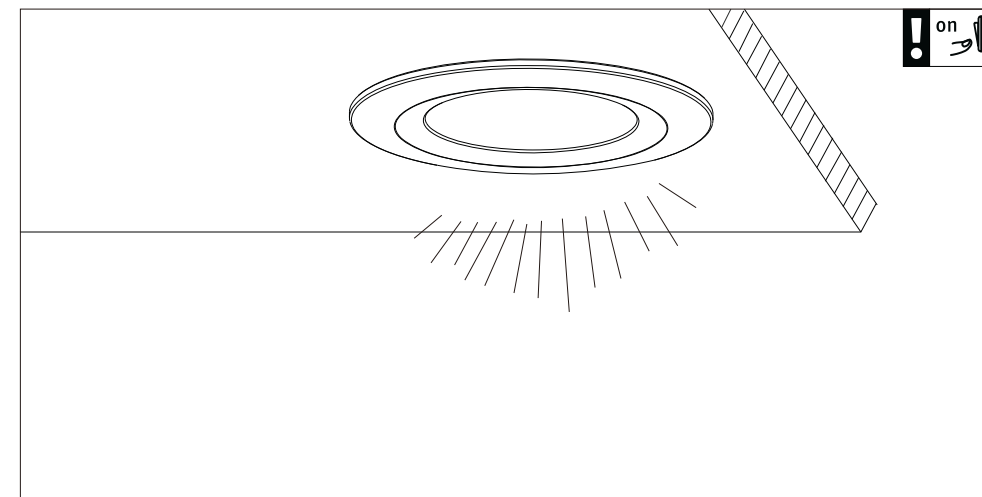
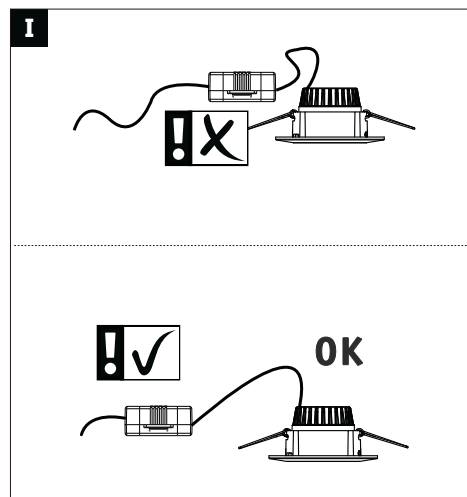
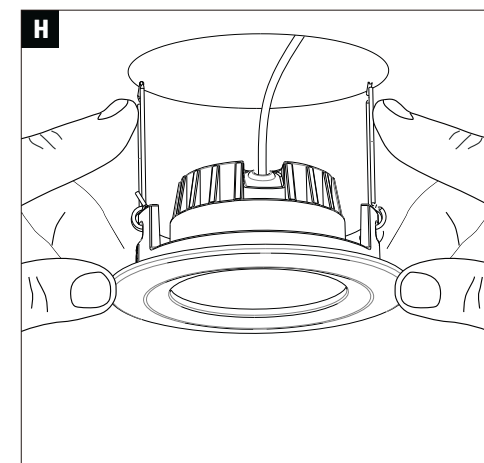
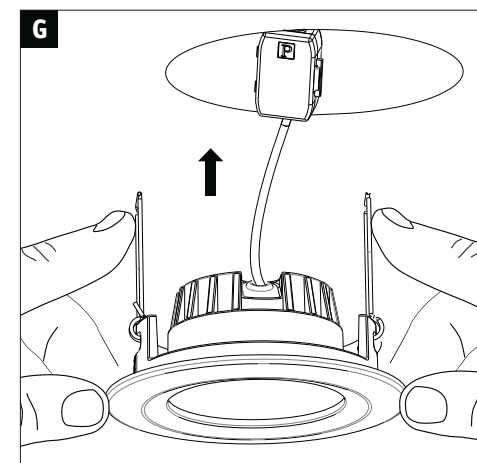
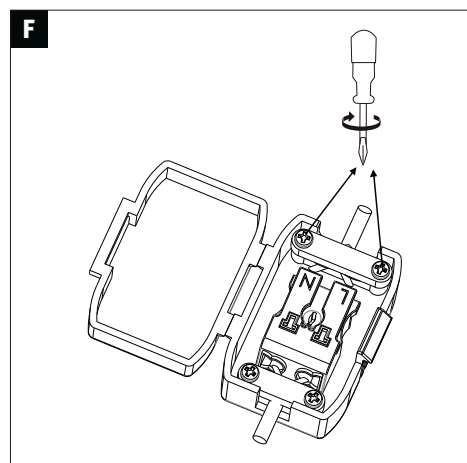
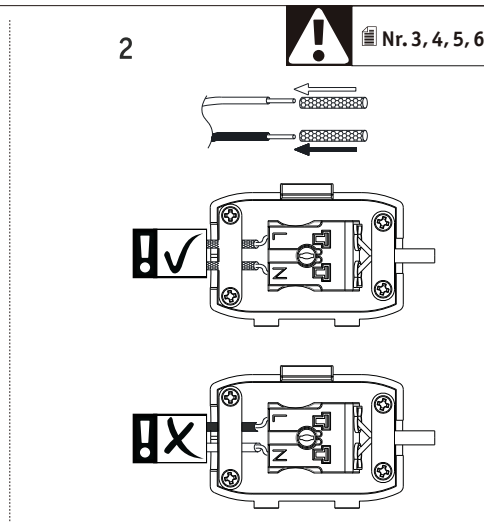
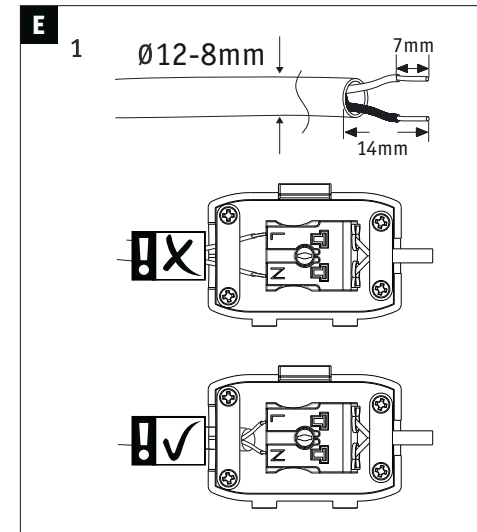
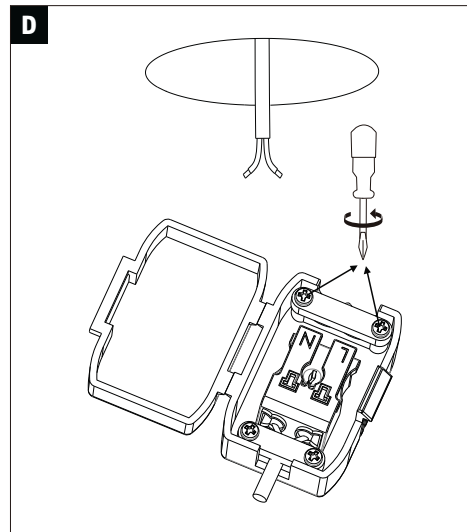
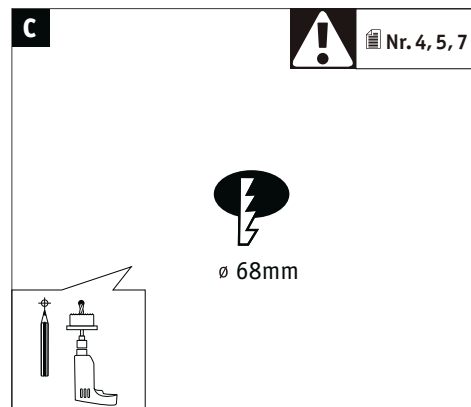
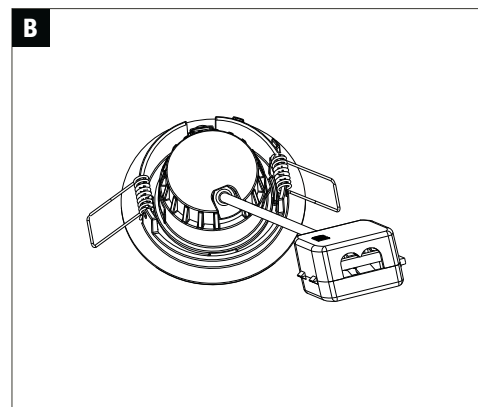
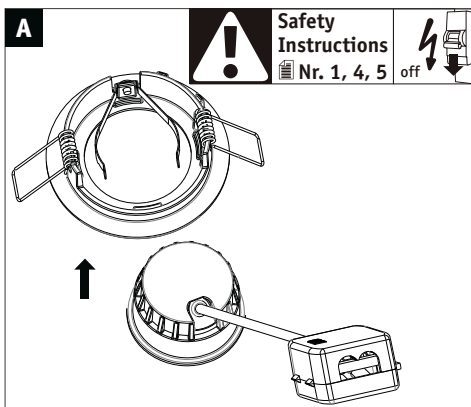
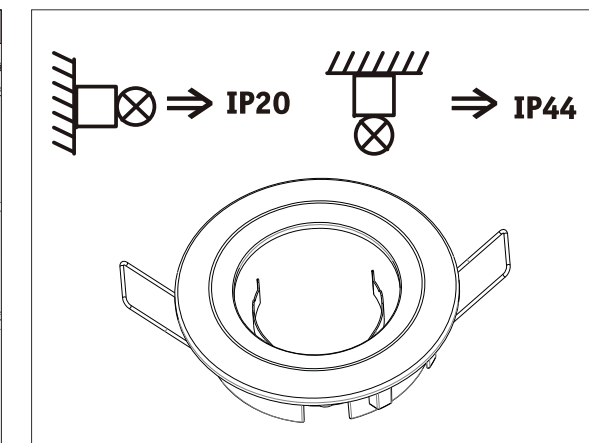
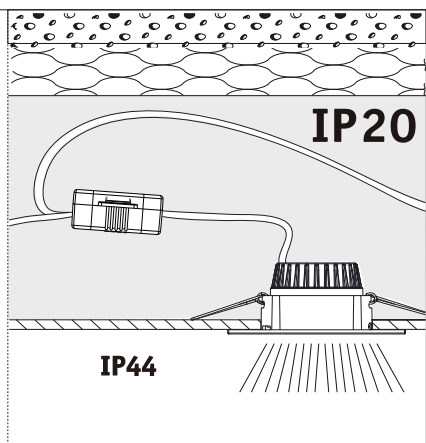
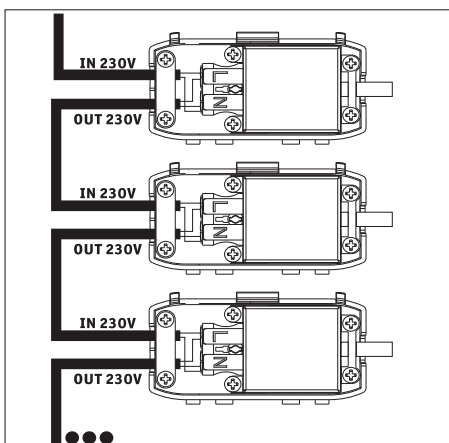
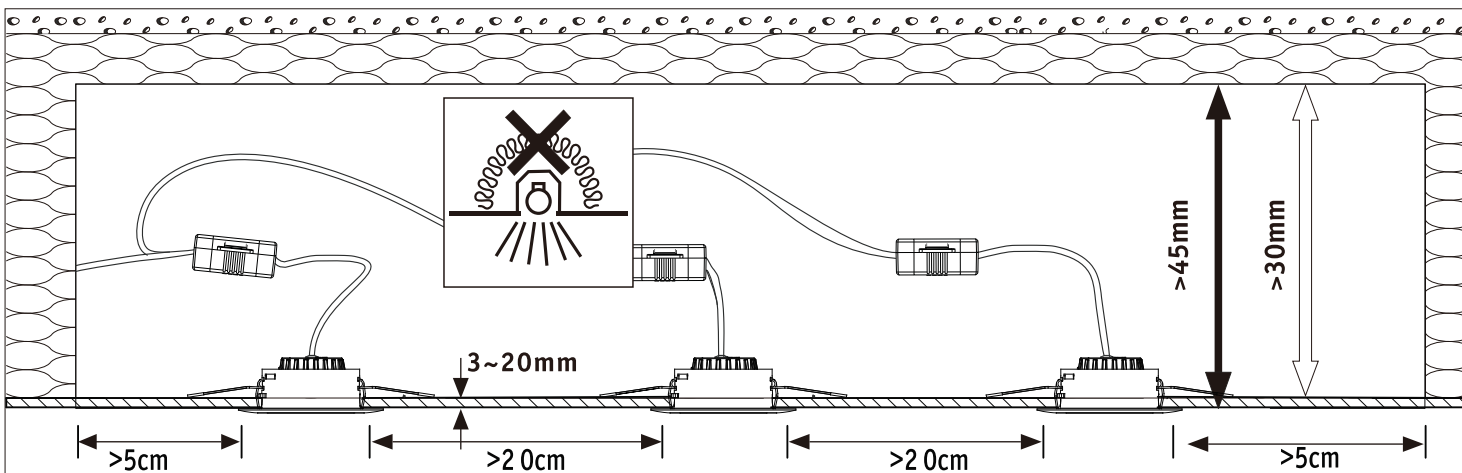


3x



3x

Incl.



ENERGY CLASS G

Paulmann

470 lm
6W
230 V

warm white
2700K

CRI/Ra ≥ 85

ON OFF >50.000

Lumen 60% 2 s

≈30x 1.000h

∅ 51 mm

∅ 68mm

6 kWh/1000h

2019/2015

CE UK CA

390093069

