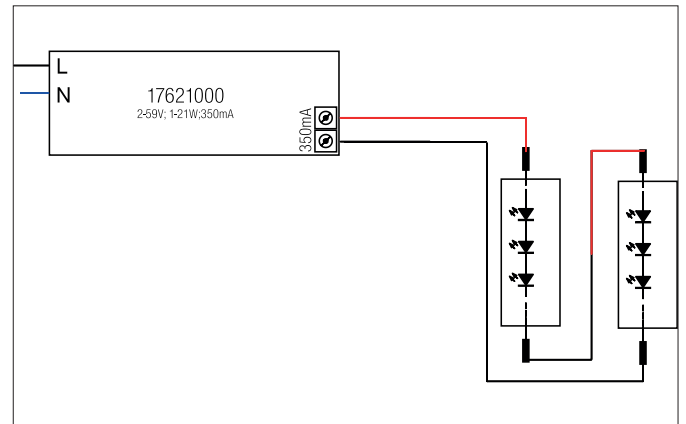


LED converter 350 mA, on/off switchable

Article no. 17621020

Light.
For Generations.**Tender**

LED converter 350 mA, on/off switchable, , Rectangular. This converter is equipped with safety devices which protect it against overvoltage, short-circuit as well as thermal and electric overloads. The input and output terminals are suitable for cables with a cross-section of up to 1.5 mm². Material: Plastic, Degree of protection: according to DIN EN 60529 IP20, Protection class: (EN 61140) II, Current: 350 mA, Voltage: 230V AC 50Hz, Power: 21 W, Dimmable: No, Control: on/off.

Article data	
Article no.	17621020
GTIN	4251433918516
Short description	LED converter 350 mA, on/off switchable
Material	Plastic
Shape	Rectangular
Length	128 mm
Width	50 mm
Height	13 mm
Scope of delivery	Plug&Play version with 110 mm P&P output cable
Weight	0.117 kg

LED converter 350 mA, on/off switchable

Article no. 17621020

Light.
For Generations.

Operating technology of the luminaire	
Voltage type	AC
AC nominal voltage min	198 V
AC nominal voltage max	264 V
Current	350 mA
Frequency max	63 Hz
Frequency min	47 Hz
Protection class	II
Degree of protection	IP20
Dimmable	No
Control	on/off

Operating technology of driver	
AC nominal voltage min	198 V
AC nominal voltage max	264 V
Frequency min	47 Hz
Frequency max	63 Hz
Output current	350 mA
Protection class	II
Degree of protection	IP20
max. no. lights on C16 A	39
max. no. lights on B16 A	18
Starting current	8 A, 500 ms
Power min	1 W
Power max.	21 W
Output_ripple_current	50
Suitable for emergency lighting	No
Control	on/off
Flicker-free	Yes
Environment temperature (ta)	0°C up to 40°C
Measure point (tc)	max. +85 °C
Average nominal lifespan	30000 h
Version	Plug&Play + connection box
Power factor	0.55

Mounting technology	
stamp	ENEC 17
Application	Indoor
Suitable for through-wiring	No

Packing data	
Gross weight	0.176 kg
Length of packaging	100 mm
Packaging width	100 mm
Packaging height	100 mm
Disposal at end of life	This product must not be disposed of with household waste. You are obliged, to dispose of such electrical waste separately. By disposing of electrical waste and other old or defective electronics separately, you support recycling or other forms of re-use. In that way you help to take care and to avoid that harmful substances get into the environment.