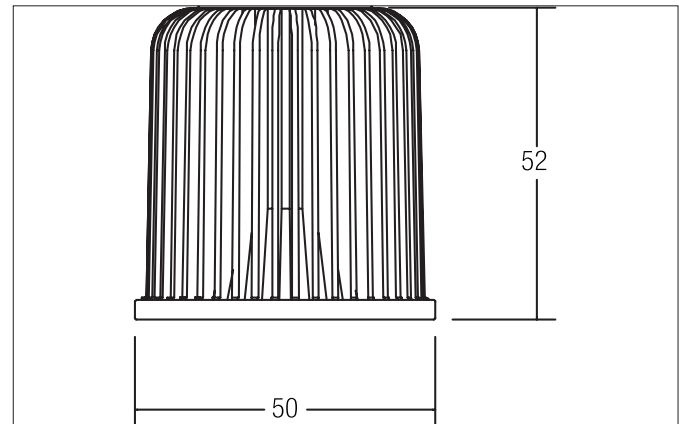


LED reflector insert MR16, 8 W, dim4colour (RGB+WW)

Article no. 18438002

Light.
For Generations.**Tender**

LED reflector insert MR16, 8 W, dim4colour (RGB+WW), Round. Ceiling cut-out Installation depth mm, Outer diameter 50 mm, Weight 0,068 kg, with rotationssymmetrical, deep, wide distributed light intensity.with max: 8 W , Delivery without bulb.Housing material: Aluminium / Plastic, Permissible ambient temperature (ta): -20 °C - +25 °C, Protection class (EN 61140): III, Degree of protection (DIN EN 60529): IP20, .For connection to an external driver, which is not included in the scope of delivery of the luminaire. Depending on driver dimmable.

Article data	
Article no.	18438002
GTIN	4251433922926
Short description	LED reflector insert MR16, 8 W, dim4colour (RGB+WW)
Material	Aluminium / Plastic
Shape	Round
Outer diameter	50 mm
Length	0 mm
Hight	50 mm
Weight	0.068 kg

LED reflector insert MR16, 8 W, dim4colour (RGB+WW)

Article no. 18438002

Light.
For Generations.

Lighting technology	
Colour temperature	RGB+WW
Luminous flux	400 lm
System efficiency	50 lm/W
Colour rendering	CRI > 90
Reflector	High-gloss
Beam angle	60°
Light sharing	Symmetric
Adjustable color temperature	No

Packing data	
Gross weight	0.08 kg
Length of packaging	53 mm
Packaging width	53 mm
Packaging height	67 mm
Disposal at end of life	<p>This product must not be disposed of with household waste. You are obliged, to dispose of such electrical waste separately.</p> <p>By disposing of electrical waste and other old or defective electronics separately, you support recycling or other forms of re-use. In that way you help to take care and to avoid that harmful substances get into the environment.</p>

LED reflector insert MR16, 8 W, dim4colour (RGB+WW)

Article no. 18438002

Light.
For Generations.

Accessories	
	Article no.: 18196000 RGBW radio remote control for 18192000
	Article no.: 18194070 RGBW wireless wall panel for 18192000 Dimensions: 86 mm x 86 mm x 12 mm
	Article no.: 18194080 RGBW wireless wall panel for 18192000 Dimensions: 86 mm x 86 mm x 12 mm
	Article no.: 18207000 ZigBee LED radio remote control for 18157000 Dimensions: 137 mm x 45 mm x 13 mm
	Article no.: 18151000 LED dimmer 12-24 V DC, dimmable Power: 1 - 240 W Dimensions: 170 mm x 59 mm x 30 mm
	Article no.: 18152000 LED dimmer 12-24 V DC, dimmable Power: 1 - 240 W Dimensions: 170 mm x 59 mm x 30 mm
	Article no.: 18153000 LED dimmer 12-24 V DC, dimmable Power: 1 - 240 W Dimensions: 170 mm x 59 mm x 30 mm
	Article no.: 18154000 LED dimmer 12-24 V DC, dimmable Power: 1 - 240 W Dimensions: 170 mm x 59 mm x 30 mm
	Article no.: 18155000 LED dimmer 12-24 V DC, dimmable Power: 1 - 240 W Dimensions: 170 mm x 59 mm x 30 mm
	Article no.: 18161000 REG LED dimmer 12-24 V DC, dimmable Power: 1 - 240 W Dimensions: 72 mm x 90 mm x 70 mm

LED reflector insert MR16, 8 W, dim4colour (RGB+WW)

Article no. 18438002

Light.
For Generations.

Accessories	
	Article no.: 18162000 REG LED dimmer 12-24 V DC, dimmable Power: 1 - 240 W Dimensions: 54 mm x 110 mm x 66 mm
	Article no.: 18163000 REG LED dimmer 12-24 V DC, dimmable Power: 1 - 240 W Dimensions: 54 mm x 110 mm x 66 mm
	Article no.: 18164000 REG LED dimmer 12-24 V DC, dimmable Power: 1 - 240 W Dimensions: 54 mm x 110 mm x 66 mm
	Article no.: 18165000 REG LED dimmer 12-24 V DC, dimmable Power: 1 - 240 W Dimensions: 54 mm x 110 mm x 66 mm
	Article no.: 18223000 RGBW radio control Power: 1 - 240 W
	Article no.: 18157000 LED dimmer 12-24 V DC, Zigbee dimmable Power: 48 - 240 W Dimensions: 145 mm x 46.5 mm x 16 mm
	Article no.: 18192000 Radio system controller for 1-4 channel operation Power: 120 - 240 W Dimensions: 160 mm x 45 mm x 18 mm
	Article no.: 17290000 LED power supply 24 V DC, 4 channel, DALI-2 / DALI-DT8 dimmable Power: 1 - 100 W Dimensions: 244 mm x 64 mm x 32 mm
	Article no.: 17291000 LED power supply 24 V DC, 4 channel, DALI-2 / DALI-DT8 dimmable Power: 1 - 200 W Dimensions: 330 mm x 79 mm x 39 mm

LED reflector insert MR16, 8 W, dim4colour (RGB+WW)

Article no. 18438002

Light.
For Generations.

Compatible Driver						
Article no.	Power min	Power	Control	Length	Width	Hight
17206000	1 W	20 W	1-10 V	146 mm	55 mm	19 mm
17207000	1 W	30 W	on/off	160 mm	50 mm	22 mm
17223000	1 W	75 W	on/off	185 mm	60 mm	31 mm
17224000	1 W	100 W	on/off	199 mm	63 mm	36 mm
17225000	1 W	150 W	on/off	219 mm	63 mm	36 mm
17226000	1 W	240 W	on/off	244 mm	71 mm	38 mm
17227000	1 W	320 W	on/off	252 mm	90 mm	44 mm
17228000	1 W	480 W	on/off	262 mm	125 mm	44 mm
17240000		20 W	on/off	150 mm	40 mm	30 mm
17241000		40 W	on/off	210 mm	40 mm	30 mm
17242000		60 W	on/off	250 mm	40 mm	30 mm
17243000		120 W	on/off	300 mm	40 mm	30 mm
17244000		150 W	on/off	310 mm	40 mm	30 mm
17260000	1 W	150 W	on/off	105 mm	90 mm	59 mm