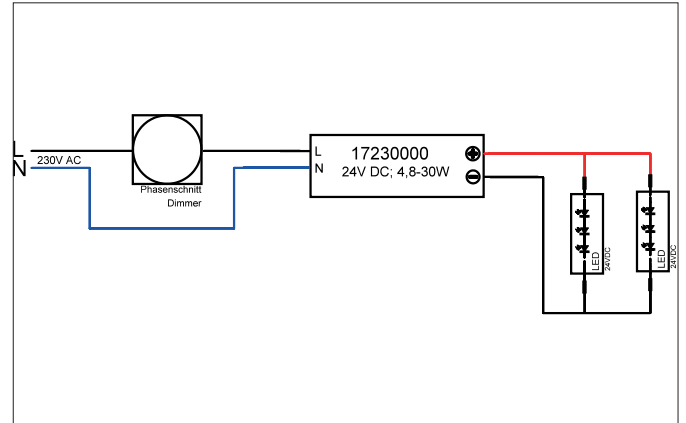


LED power supply 24 V DC, dimmable

Article no. 17230000

Light.
For Generations.



Tender

LED power supply 24 V DC, dimmable, , Rectangular. Material: Plastic, Degree of protection: according to DIN EN 60529 IP20, Protection class: (EN 61140) II, Voltage: 24 V DC, Power: 30 W, Dimmable: Yes, Control: Trailing-edge phase.

| Article data | |
|-------------------|------------------------------------|
| Article no. | 17230000 |
| GTIN | 4251433938163 |
| Short description | LED power supply 24 V DC, dimmable |
| Material | Plastic |
| Shape | Rectangular |
| Length | 145 mm |
| Width | 50 mm |
| Height | 22 mm |
| Weight | 0.190 kg |
| stamp | ENEC, MM |

LED power supply 24 V DC, dimmable

Article no. 17230000

Light.
For Generations.

| Operating technology of driver | |
|---------------------------------|---------------------|
| AC nominal voltage min | 198 V |
| AC nominal voltage max | 264 V |
| Frequency min | 50 Hz |
| Frequency max | 60 Hz |
| Output current | 1,25 A mA |
| Protection class | II |
| Degree of protection | IP20 |
| max. no. lights on B16 A | 36 |
| Starting current | 20 A (200 µs) |
| Power min | 5 W |
| Power max. | 30 W |
| Output_ripple_current | 300 |
| Suitable for emergency lighting | No |
| Control | Trailing-edge phase |
| Environment temperature (ta) | -10 °C up to +45 °C |
| Measure point (tc) | max. +85 °C |
| Average nominal lifespan | 30000 h |
| Power factor | 0.95 |

| Packing data | |
|-------------------------|---|
| Gross weight | 0.21 kg |
| Length of packaging | 150 mm |
| Packaging width | 55 mm |
| Packaging height | 30 mm |
| Disposal at end of life | This product must not be disposed of with household waste. You are obliged, to dispose of such electrical waste separately. By disposing of electrical waste and other old or defective electronics separately, you support recycling or other forms of re-use. In that way you help to take care and to avoid that harmful substances get into the environment. |