

CMP-767-D-M2-5 Art. No. 253039



- Ex-d und Ex-e metal stopping plugs
- Large selection of metric thread sizes
- Operating temperature range: -60 °C ... +200 °C
- Worldwide certification, IECEX, ATEX, UL and cCSAus

WebCode **767DA**



The metallic Ex-d stopping plugs from the 767 series with a truss head and hexagon socket enable temporary or continuous plugging of unused drilled holes. There is a large selection of different metric thread sizes and types available. They have worldwide certification according to IECEX, ATEX, UL and cCSAus.

Technical Data

Explosion Protection

Application range (zones)	1 2 20 21 22
IECEX gas certificate	IECEX CML 18.0177X
IECEX gas explosion protection	Ex db IIC Gb
IECEX firedamp certificate	IECEX CML 18.0177X
IECEX firedamp protection	Ex db I Mb
IECEX firedamp protection	Ex eb I Mb
ATEX gas certificate	CML 18ATEX1320X
ATEX gas explosion protection	⊕ II 2 G Ex db IIC Gb
ATEX firedamp certificate	CML 18ATEX1320X
ATEX firedamp protection	⊕ I M2 Ex db I Mb
ATEX firedamp protection	⊕ I M2 eb I Mb
EAC certificate	TS RU S-GB.AA87.B.00487
EAC gas explosion protection	⊕ 1 Ex d e IIC Gb X
EAC dust explosion protection	⊕ Ex ta IIIC Da X
Note	The product certification and certificates can be downloaded from the manufacturer's homepage (www.cmp-products.com)

Ambient Conditions

Ambient temperature	-60 °C ... +200 °C
---------------------	--------------------

Mechanical Data

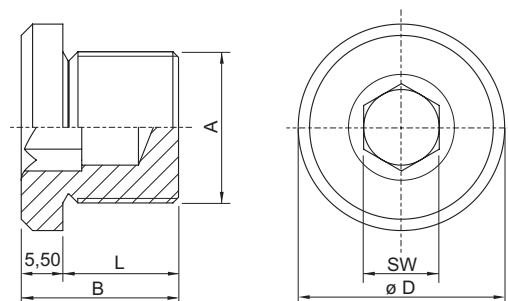
Degree of protection (IP)	IP66
Degree of protection note	IP67 and IP68 mounting in accordance with the specifications of the manufacturer, CMP
Material	Nickel-plated brass

CMP-767-D-M2-5 Art. No. 253039

Mechanical Data

Silicone-free	Yes
Drive	Hexagon socket
Outer diameter	27 mm
Thread size	M20
Thread length	15 mm
Thread pitch	1,5
Impact strength (IEC 62262)	IK10
Packaging unit	1
Weight	0.075 kg
Weight	0.17 lb

Dimensional Drawings (All Dimensions in mm [inches]) – Subject to Alterations



A = Thread size
 B = Length
 L = Thread length
 D = Outer diameter
 SW = Width across flats

We reserve the right to make alterations to the technical data, dimensions, weights, designs and products available without notice. The illustrations cannot be considered binding.