

Isolators

Supply module

ISpac

9193/21-11-11k Art. No. 268184



- Redundant supply for increased availability
- DIP switch makes adjusting operating statuses easy
- Can be used for ISpac Series 91xx and 92xx

WebCode 9193A



The 9193 series supply module supplies the pac-bus with auxiliary power and reads any line fault messages or auxiliary power failures for all of the ISpac devices installed on the pac-Bus. The supply current of up to 4 A is sufficient for approximately 30-50 modules. Power can be supplied using a single or redundant system. The device is provided with an interchangeable fuse.

Technical Data

Explosion Protection

Application range (zones)	2
IECEX gas certificate	IECEX BVS 10.0042 X
IECEX gas explosion protection	Ex ec nC IIC T4 Gc
ATEX gas certificate	BVS 03 ATEX E 213 X
ATEX gas explosion protection	Ex II 3 G Ex ec nC IIC T4 Gc
Certificates	ATEX (BVS), EAC (ENDCE), IECEX (BVS)
Ship approval	CCS

Electrical Data

Number of channels	1
Redundancy	Yes, diode-decoupled
Supply	24 V / 4 A, primary + redundant

Auxiliary Power

Auxiliary power	24 V DC
Auxiliary power voltage range	18 ... 31.2 V
residual ripple	< 3.6 Vss
Nominal current	4 A
Power dissipation max.	2.5 W
Polarity reversal protection	Yes

Output

Output	24 V / max. 4 A, supply via pac-Bus
Collective error message	35 V / 100 mA relay contact
"LF 92xx" switch user adjustment	Line fault detection for ISpac modules of the 92xx series activated or deactivated.
"LF 91xx" switch user adjustment	Error detection for ISpac modules of the 91xx series activated or deactivated.
"PWR2" switch user adjustment	Auxiliary power failure message for redundant supply activated or deactivated.

Ambient Conditions

Ambient temperature	-40 °C ... +70 °C (Single device) -40 °C ... +55 °C (Group assembly)
---------------------	---

Ambient Conditions

Storage temperature	-40 °C ... +80 °C
Storage temperature	-40°F ... +176°F
Relative humidity max.	95%
Use at the height of	< 2000 m

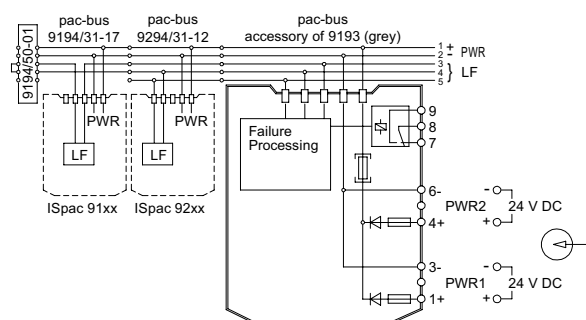
Mechanical Data

Degree of protection (IP)	IP30
Terminal degree of protection (IP)	IP20
Fire resistance (UL 94)	V0
Connection cross-section	0.2-2.5 mm ² flexible
Enclosure material	Polyamide
Grid dimension	17.6 mm
Width inches	0.69 in
Length inches	4.25 in
Mounting depth inches	4.51 in
Weight	0.135 kg
Weight	0.3 lb

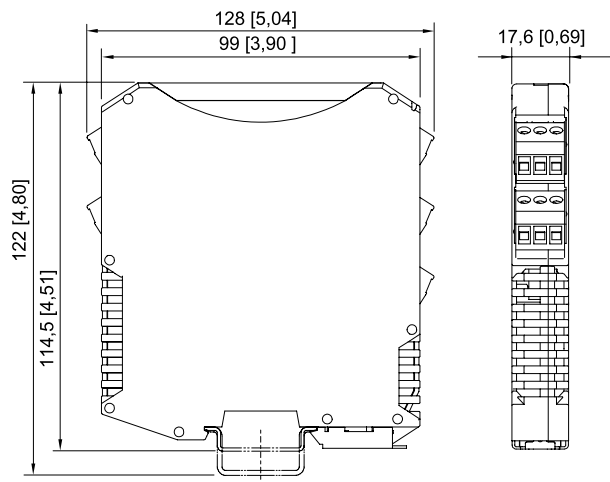
Mounting / Installation

Mounting type	NS35/15, NS35/7.5 DIN rail
Mounting position	Vertical Horizontal
Connection type	Spring clamp terminal
Note	A special pac-Bus element (colour grey) is included in delivery.

Technical Drawings – Subject to Alterations



Dimensional Drawings (All Dimensions in mm [inches]) – Subject to Alterations



ISpac Series 9146, 9147, 9160, 9162, 9163, 9165, 9167, 9170, 9172, 9175, 9176, 9180, 9182, 9193, ISbus Series 9412 with spring clamp terminal

Accessories

Fuse

Art. No.



Spare part for the back-up fuse of the supply module 9193/21-11-11

111412

We reserve the right to make alterations to the technical data, dimensions, weights, designs and products available without notice. The illustrations cannot be considered binding.