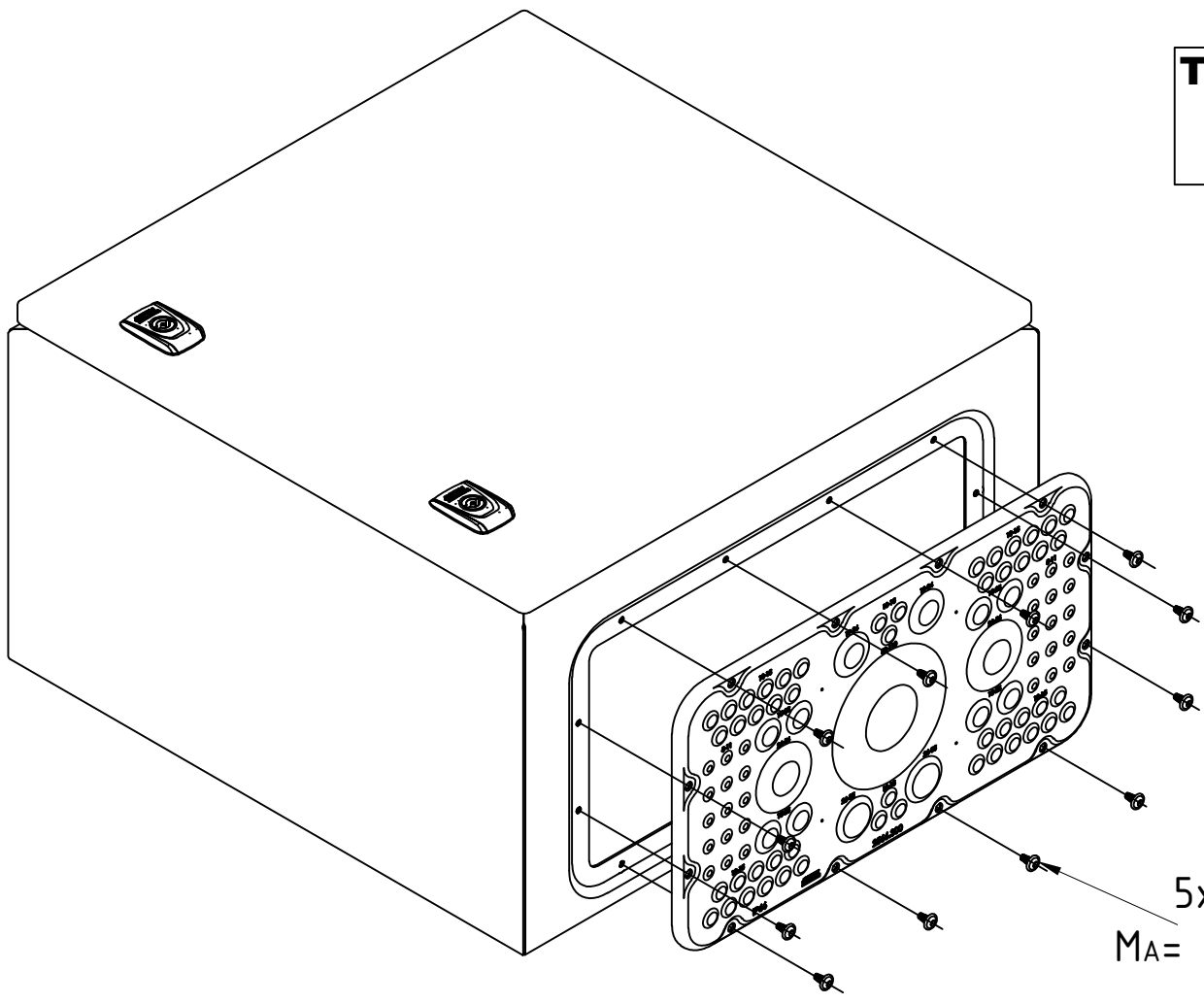
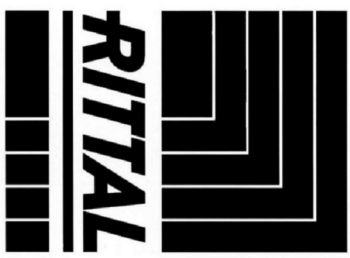


TX25



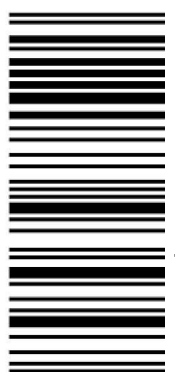
5x16
MA= 1,5+0,5 Nm



Raum für Verpackungsdatum
Area for date of packing
(MMJJTT / MMYYDD)

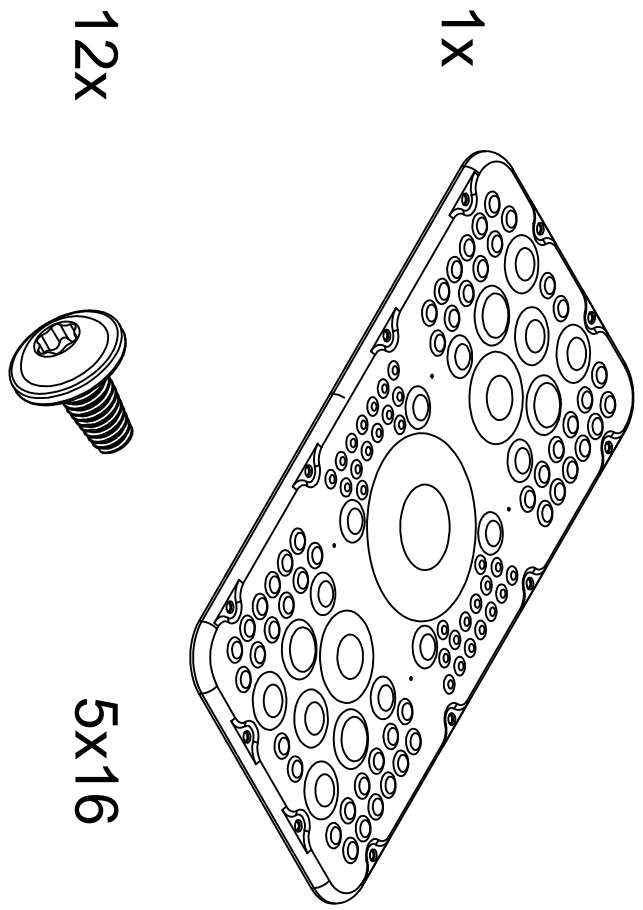


www.rittal.com



4028177935747

SZ
2567.300
AX plastic gland plate
Only for use with Rittal
AX series products

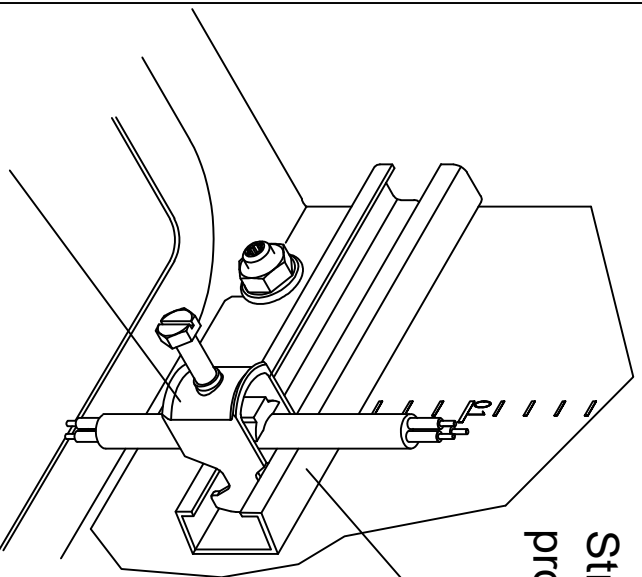


This gland plate can be used to replace the gland plate and gasket supplied with the AX series.

Zehng.-Nr. / No. of dwg. : A08807601SZ
Versandbeutel-Nr. / No. of accessory bag : -

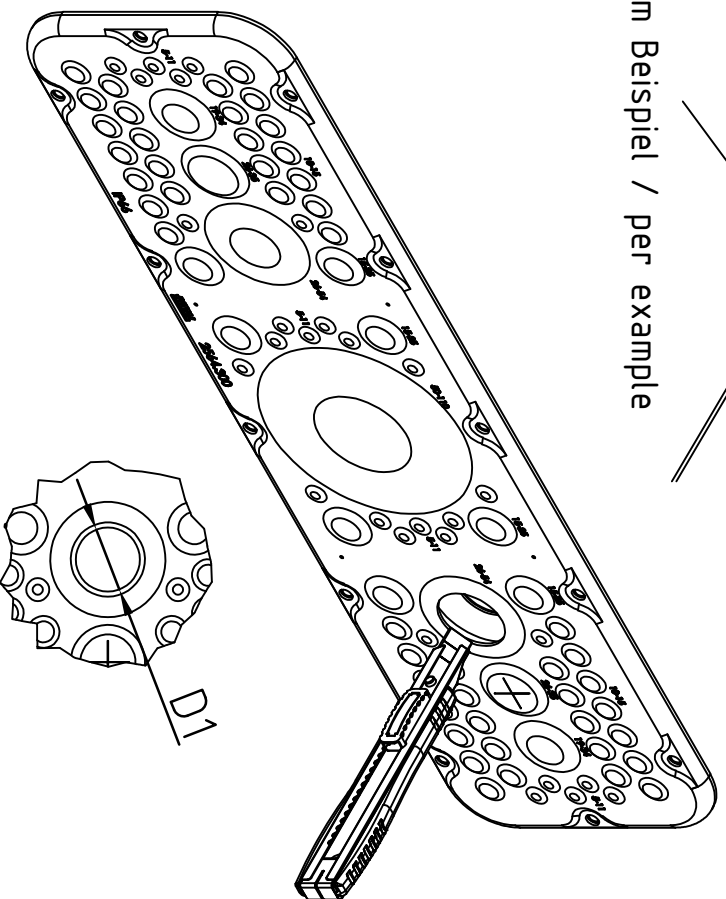
Made in xxx
Lieferanten-Nr. / No. of supplier :

Strain relief must additionally be provided in the end application.



zum Beispiel / per example

zum Beispiel / per example



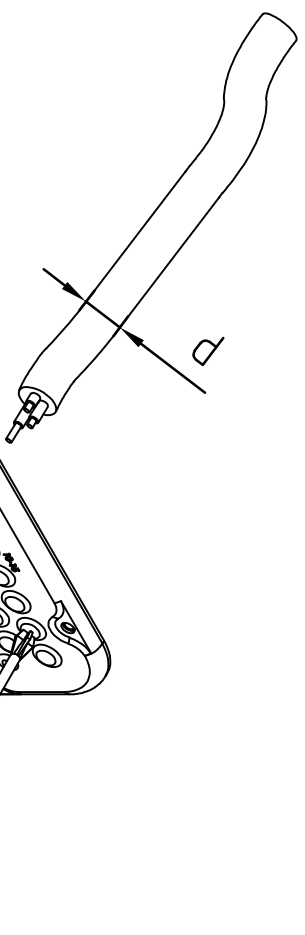
Kreisrund - Schneiden / round cutting

D1= d-15 mm

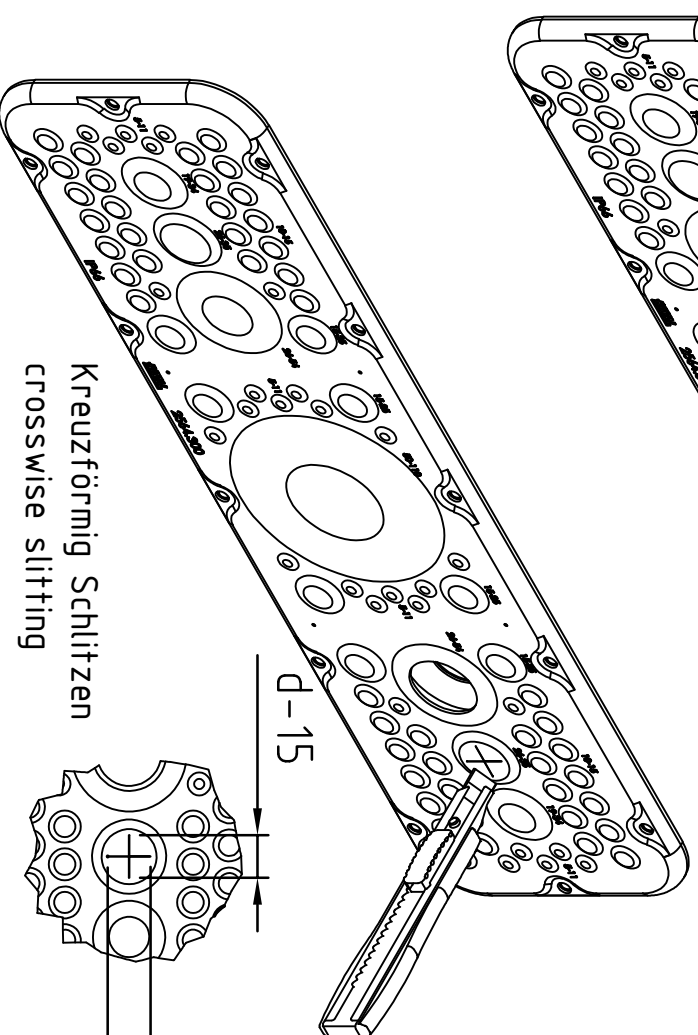
für/for d= 36-60 mm

D1= d-20 mm

für/for d= 60-110 mm



Durchstechen / piercing
für/for d= 0-15 mm



Kreuzförmig Schlitzten
crosswise slitting

für/for d= 16-35 mm