

# wall mounting appliance inlet - housing dimensions 260x160



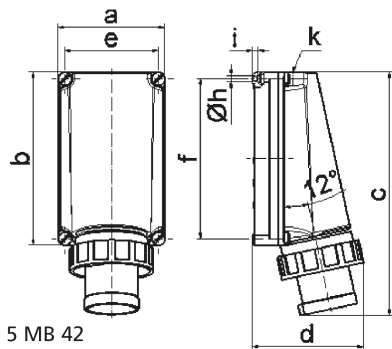
Product description	
BALS-Prd.-Nr	24202
EAN	4024941242028
Product category	Wall mounting appliance inlet
Current	125A
Number of poles	5p
Arrangement of phases	3p+N+PE
Position of earth contact	6 h
Voltage	200/346 - 240/415V~

Product description	
Frequency	50/60Hz
Protection degree	IP67
Colour code	red RAL 3000
Colour of appliance	Housing bottom grey RAL 7035, Housing top grey RAL 7035, Bayonet ring grey RAL 7035, Housing screws grey RAL 7035, Collar red RAL 3000
Connection design	screw terminal as box terminal
Maximum conductor size	50.0 qmm
Cable entry	1xM50 from above
Height	366mm
Width	160mm
Depth	163mm
Dimension of enclosure	260x160 mm (HxW)
Material of enclosure	Polycarbonate
Contacts	The contact carrier is made of high temperature resistant material, the contacts are brass nickel plated

Additional technical properties	
	The cable entry is one at top open

Logistics data	
Weight/pcs	2.245 kg / Piece
Packaging	Carton

Logistics data	
Content amount	1 ST
EAN	4024941242028
Length	440 mm
Width	225 mm
Height	165 mm
Weight	2.473 kg
Volume	13,545 ccm



5 MB 42

Ampere Polzahl	125 3	125 4	125 5			
a	160,0	160,0	160,0			
b	260,0	260,0	260,0			
c	364,0	364,0	364,0			
d	165,0	165,0	165,0			
e	140,0	140,0	140,0			
f	240,0	240,0	240,0			
h ø	8,3	8,3	8,3			
i	10,0	10,0	10,0			
k	M50	M50	M50			
Leiter mm <sup>2</sup> min	16	16	16			
Leiter mm <sup>2</sup> max	50	50	50			