

wall mounting appliance inlet - without closure cap



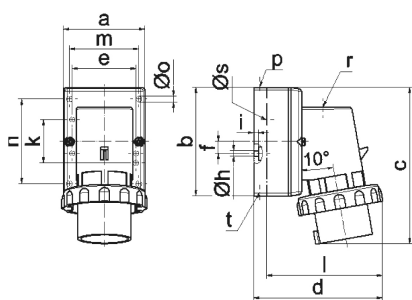
Product description	
BALS-Prd.-Nr	2473
EAN	4024941024730
Product category	Wall mounting appliance inlet
Current	16A
Number of poles	3p
Arrangement of phases	2P+PE
Position of earth contact	6 h
Voltage	200 - 250V~
Frequency	50/60Hz

Product description	
Protection degree	IP67
Colour code	blue RAL 5015
Colour of appliance	Housing bottom grey RAL 7035, Bayonet ring grey RAL 7035, Housing top grey RAL 7035, Collar blue RAL 5015
Connection design	with screw terminal
Maximum conductor size	2,5 qmm
Cable entry	top entry M20
Height	128mm
Width	70mm
Depth	111mm
Dimension of enclosure	87x64 mm (HxW)
Material of enclosure	Polyamide
Contacts	the contacts are brass nickel plated, The contact carrier is made of polyamide

Additional technical properties	
	The cable entry is one at top open and one at bottom and one rear side closed

Logistics data	
Weight/pcs	0.203 kg / Piece
Packaging	Bag
Content amount	1 ST

Logistics data	
EAN	4024941024730
Length	111 mm
Width	70 mm
Height	128 mm
Weight	0.204 kg
Volume	994.56 ccm
Packaging	Carton
Content amount	10 ST
EAN	4024941968089
Length	258 mm
Width	183 mm
Height	212 mm
Weight	2.182 kg
Volume	8,750 ccm



5 MB 128

Ampere Polzahl	16 3	16 4	16 5	32 3	32 4	32 5
a	64,0	75,0	84,0	90,0	90,0	90,0
b	87,0	100,0	84,0	75,0	75,0	75,0
c	137,0	151,0	136,0	138,0	138,0	139,0
d	112,0	119,0	-	122,0	122,0	123,0
e	51,0	59,0	-	-	-	-
f	-	11,0	-	-	-	-
h ø	4,1	5,1	-	-	-	-
i	4,5	4,5	-	-	-	-
k	40,0	-	-	-	-	-
l	-	-	111,0	-	-	-
m	-	-	64,0	78,0	78,0	78,0
n	-	-	64,0	45,0	45,0	45,0
o ø	-	-	5,5	5,5	5,5	5,5
p	M20	M20	-	-	-	-
r	-	-	M20	M25	M25	M25
s ø	-	-	23,0	29,0	29,0	29,0
t	für M20	für M20	-	-	-	-