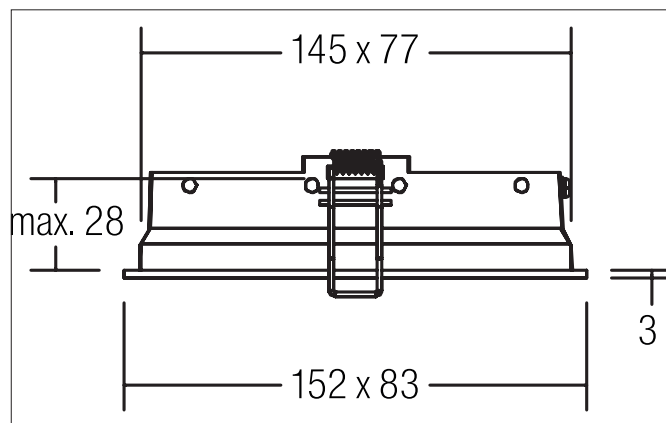


COUPLED Double recessed frame COUPLED, square

Artikel-Nr. 82041170

Licht.
Für Generationen.**Tender**

Double recessed frame COUPLED, square, white, rectangular. In a compact design, for installation in tool-less rapid assembly systems. Dual installation frame for recessed ceiling lights COUPLED as the basis for 12640/12645, 12642/12644 and 12641/12643. Mounting method: Recessed mounting, Place of installation: Ceiling-mounted, Material: Aluminium.

Article data	
Artikel-Nr.	82041170
GTIN	4251433915980
Series name	COUPLED
Kurzbeschreibung	Double recessed frame COUPLED, square
Material	Aluminium
Colour	White
Type of surface	Structure
Shape	rectangular
Built-in width	145 mm
Built-in length	77 mm
Length	151 mm
Width	83 mm
weight	0.122 kg

Lighting technology**Operating technology of the luminaires**

Date 05.01.2022 All technical data as well as, weight and measurements are based on rated values and had been carefully prepared.

We reserve the right to make technical changes which are important in progressing. Product pictures are examples and can vary from the original.

Subject to errors.

Orders are placed under our general terms and conditions under <https://www.brumberg.com/en/terms-and-conditions/general-terms-and-conditions-of-sale/>

COUPLED Double recessed frame COUPLED, square

Artikel-Nr. 82041170

Licht.
Für Generationen.

Mounting technology	
Mounting method	Recessed mounting
Place of installation	Ceiling-mounted
Adjustability	Not adjustable

Packing data	
Gross weight	0.171 kg
Length of packaging	160 mm
Packaging width	95 mm
Packaging height	55 mm