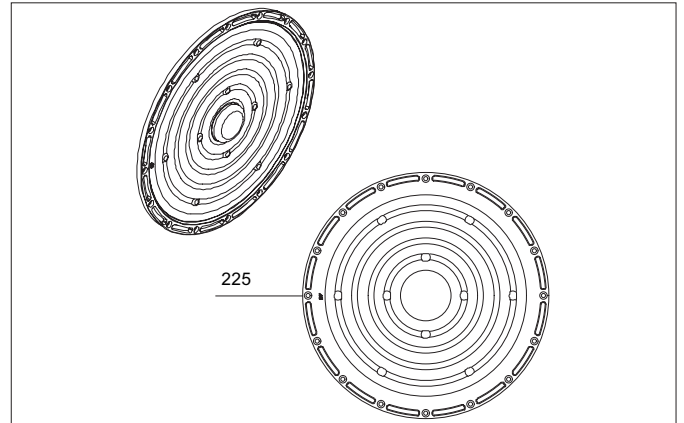


SOL Change optics 60° to 78312

Article no. 81062000

Light.
For Generations.**Tender**

Change optics 60° to 78312, , Round. Interchangeable optics with 60° beam angle to LED low beam spots 78312xxx 160W Lamp holder:
Without fitting, Material: Plastic, Beam angle: 60°, .

Article data

Article no.	81062000
GTIN	4251433951490
Series name	SOL
Short description	Change optics 60° to 78312
Material	Plastic
Shape	Round
Weight	0.200 kg

Packing data

Gross weight	0.207 kg
Length of packaging	225 mm
Packaging width	225 mm
Packaging height	70 mm
Disposal at end of life	This product must not be disposed of with household waste. You are obliged, to dispose of such electrical waste separately. By disposing of electrical waste and other old or defective electronics separately, you support recycling or other forms of re-use. In that way you help to take care and to avoid that harmful substances get into the environment.