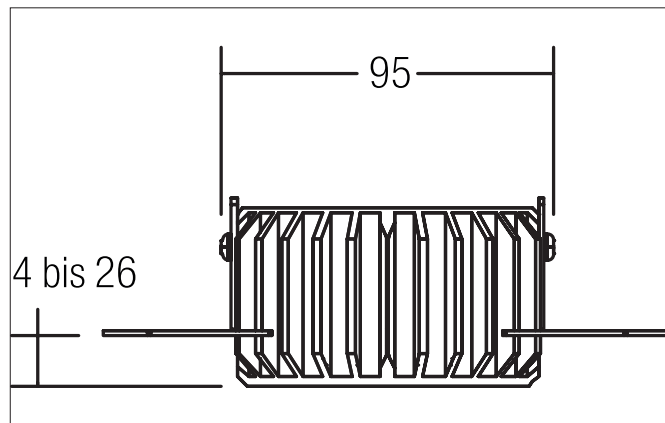


COUPLED Plaster ring COUPLED, round, for frameless mounting

Artikel-Nr. 82032170

Licht.
Für Generationen.**Tender**

Plaster ring COUPLED, round, for frameless mounting, white, round. In a compact design, for installation in tool-less rapid assembly systems. Plaster ring for recessed ceiling lights COUPLED as the basis for 12630/12635, 12632/12634 and 12631/12633. Mounting method: Recessed mounting, Place of installation: Ceiling-mounted, Material: Aluminium.

Article data	
Artikel-Nr.	82032170
GTIN	4251433915997
Series name	COUPLED
Kurzbeschreibung	Plaster ring COUPLED, round, for frameless mounting
Material	Aluminium
Colour	White
Type of surface	Structure
Shape	round
Outer diameter	85 mm
Built-in diameter	100 mm
weight	0.179 kg

Lighting technology**Operating technology of the luminaires**

Mounting technology	
Mounting method	Recessed mounting
Place of installation	Ceiling-mounted
Adjustability	Not adjustable

COUPLED Plaster ring COUPLED, round, for frameless mounting
Artikel-Nr. 82032170

Licht.
Für Generationen.

Packing data	
Gross weight	0.215 kg
Length of packaging	95 mm
Packaging width	95 mm
Packaging height	55 mm