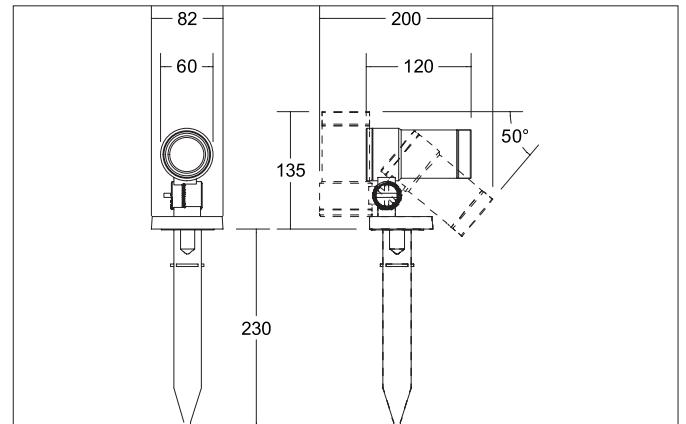


KARAKOL LED ground spike spotlight, 230 V, IP66
Article no. 60117183

Light.
For Generations.



Tender

LED ground spike spotlight, 230 V, IP66, Round. Installation opening Installation depth mm, Weight 0,913 Kg, with rotationssymmetrical, deep, wide distributed light intensity. optimal light distribution due to a glass transparent cover. Luminous flux 660 lm, Power 1 x 7,4 W, System Efficiency 89 lm/W, Light colour warm white, Correlated color temprature (CCT) 3.000 K, Colour rendering index CRI > 80, Permissible ambient temperature (ta): -20 °C - +25 °C, Protection class (EN 61140): I, Degree of protection (DIN EN 60529): IP66, shock resistance according to IEC62262: IK06, Incl. converter for connection to the 230-V mains voltage, on/off, 2,000 mm connecting cable and plug. With electronic driver, on/off .

Article data	
Article no.	60117183
GTIN	4251433947790
Series name	KARAKOL
Short description	LED ground spike spotlight, 230 V, IP66
Material	Aluminium / Glass
Colour	Black
Shape	Round
Outer diameter	60 mm
Hight	135 mm
Scope of delivery	Incl. converter for connection to the 230-V mains voltage, on/off, 2,000 mm connecting cable and plug.
Weight	0.913 kg

KARAKOL LED ground spike spotlight, 230 V, IP66

Article no. 60117183

Light.
For Generations.

Lighting technology	
Colour temperature	3.000 K
Light colour	White
Luminous flux	660 lm
System efficiency	89 lm/W
Colour rendering	CRI > 80
Reflector	High-gloss
Beam angle	28°
Light sharing	Symmetric

Operating technology of the luminaire	
System output	7.4 W
Voltage type	AC
AC nominal voltage max	230 V
Frequenz max.	50 Hz
Lamp	LED
Protection class	I
Degree of protection	IP66
Control	on/off

Mounting technology	
Mounting method	Surface mounting
Place of installation	Floor-mounted
Adjustability	Pivoted
Swivel angle	140°
Rotation angle	355°
Impact resistance	IK06
Material cover	Glass transparent

Packing data	
Gross weight	1.295 kg
Length of packaging	385 mm
Packaging width	240 mm
Packaging height	110 mm
Disposal at end of life	This product must not be disposed of with household waste. You are obliged, to dispose of such electrical waste separately. By disposing of electrical waste and other old or defective electronics separately, you support recycling or other forms of re-use. In that way you help to take care and to avoid that harmful substances get into the environment.