

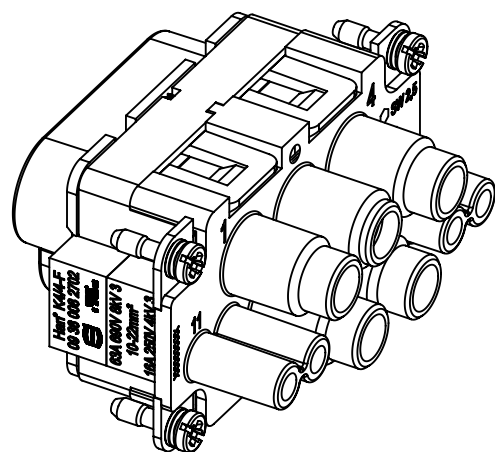
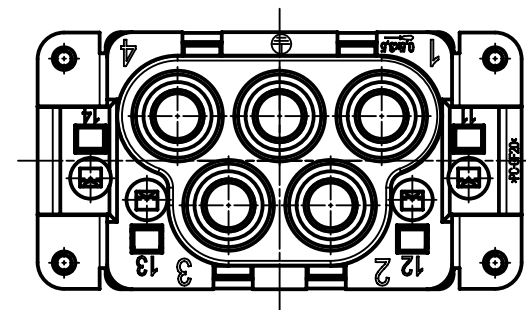
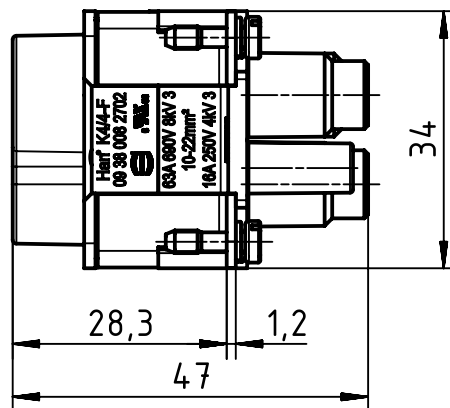
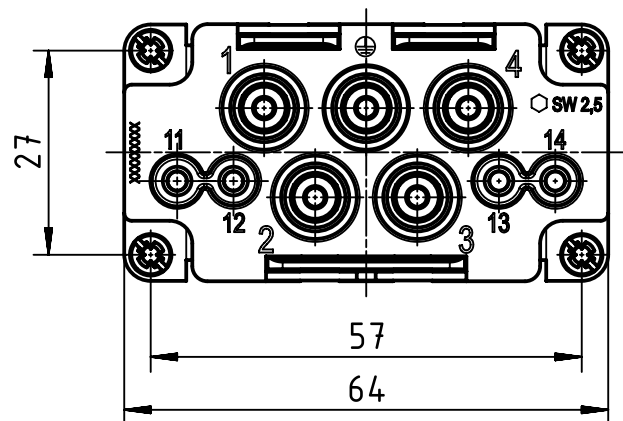
1 2 3 4 5 6

A

B

C

D



 All Dimensions in mm Original Size DIN A4	Scale	Free size tol.			Ref.
	1:1				Sub.
 All rights reserved Department EL PD - DE	Created by	Inspected by	Standardisation	Date	State
	HELLMANN	NICHTERLEIN	SCHMIDTM	2017-06-30	Final Release
HARTING Electric GmbH & Co. KG D-32339 Espelkamp	Title Han K4/4-F 10-22mm ² berührsicher				Doc-Key / ECM-Nr. 100169808/UGD/004/C 500000121121
	Type	Number			Rev.
TB	09 38 008 2702			C	1/1