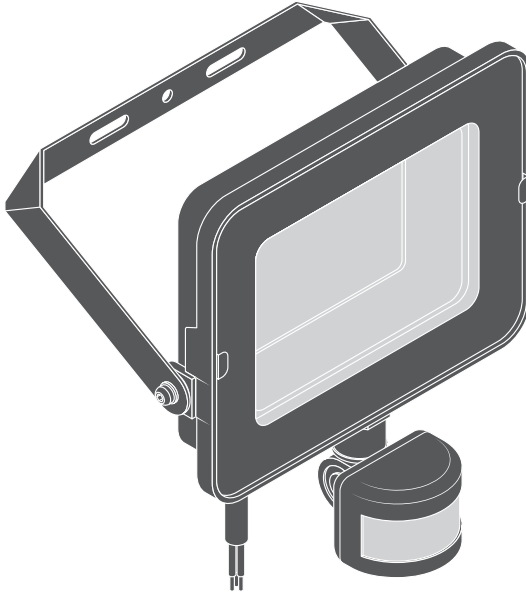
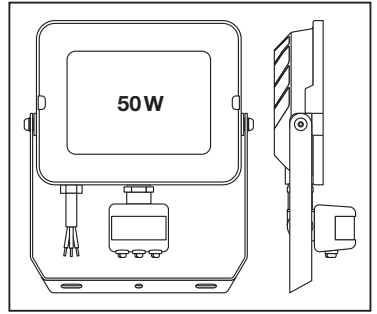
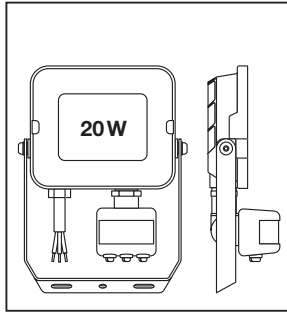
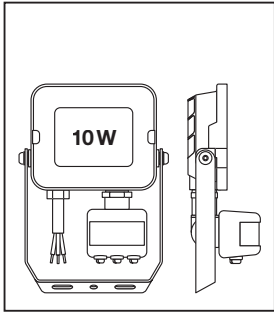


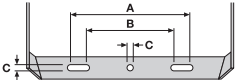


FLOODLIGHT COMPACT SENSOR

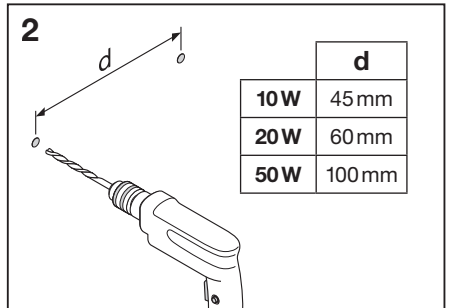
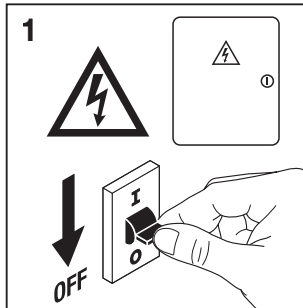
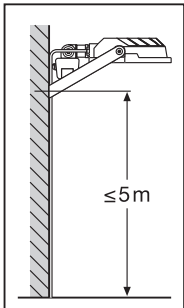
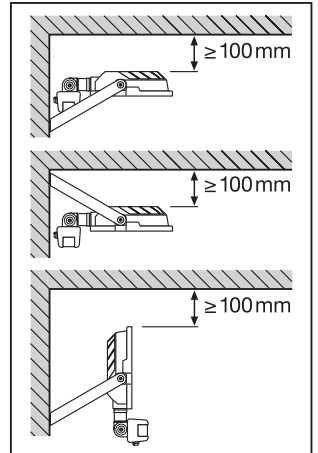
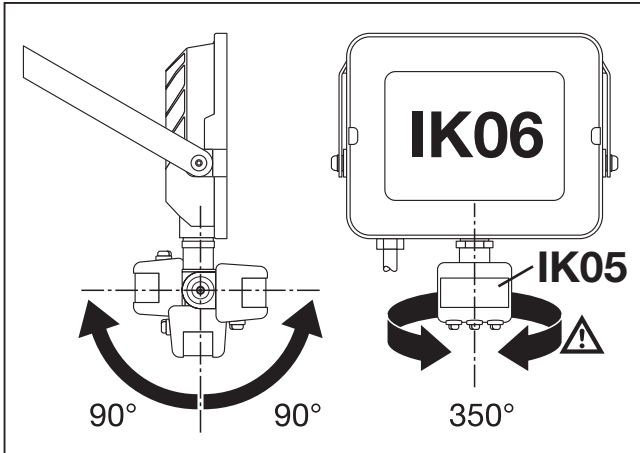


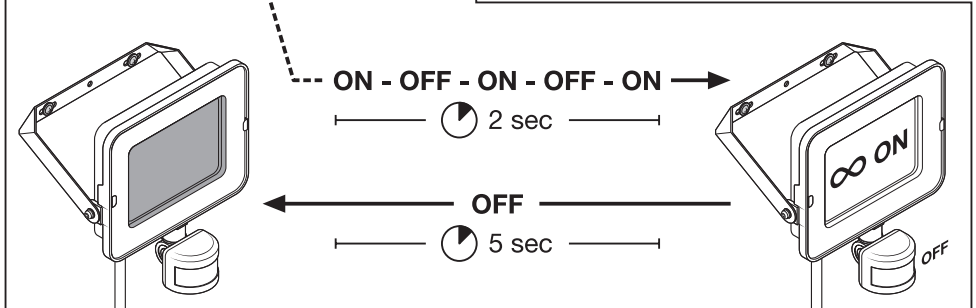
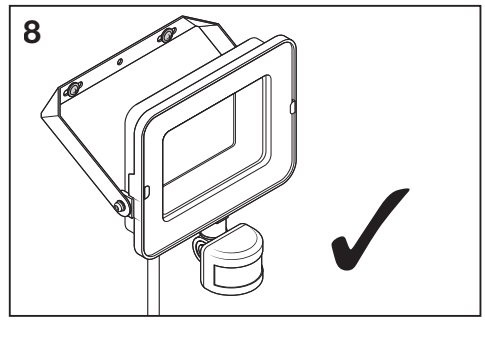
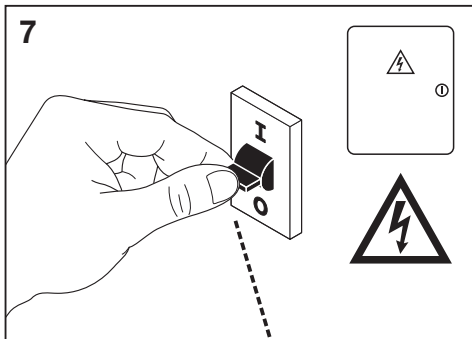
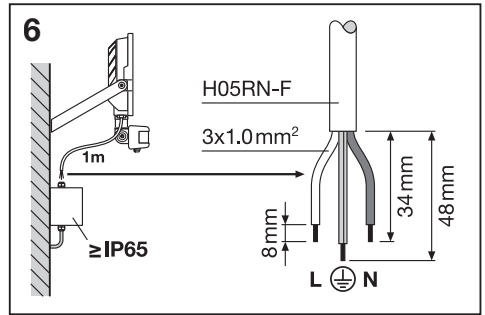
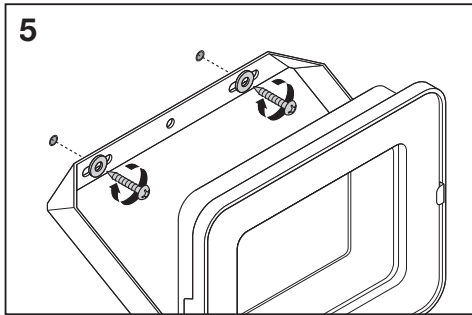
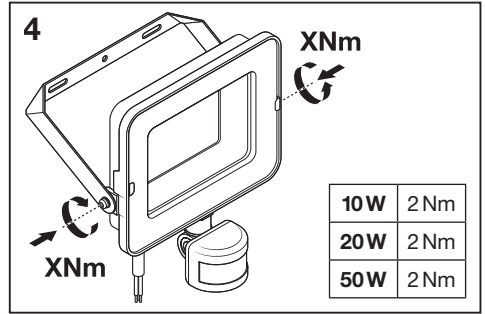
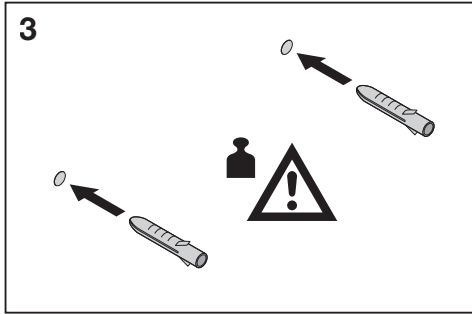
	EAN	l x w x h [mm]	W	V _{AC}	Hz	lm	lm/W	K
FL COMP SEN V 10W 830 SYM 100 BK	4058075575226	153x109x53	10	220-240	50/60	900	90	3000
FL COMP SEN V 10W 840 SYM 100 BK	4058075575240	153x109x53	10	220-240	50/60	1000	100	4000
FL COMP SEN V 20W 830 SYM 100 BK	4058075575264	165x122x53	20	220-240	50/60	1800	90	3000
FL COMP SEN V 20W 840 SYM 100 BK	4058075575288	165x122x53	20	220-240	50/60	2000	100	4000
FL COMP SEN V 50W 830 SYM 100 BK	4058075575301	202x170x60	50	220-240	50/60	4500	90	3000
FL COMP SEN V 50W 840 SYM 100 BK	4058075575325	202x170x60	50	220-240	50/60	5000	100	4000

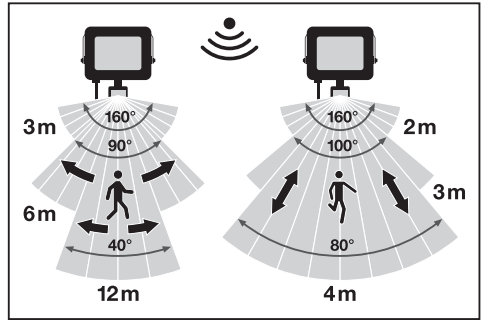
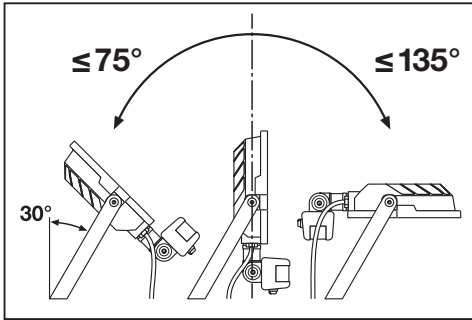
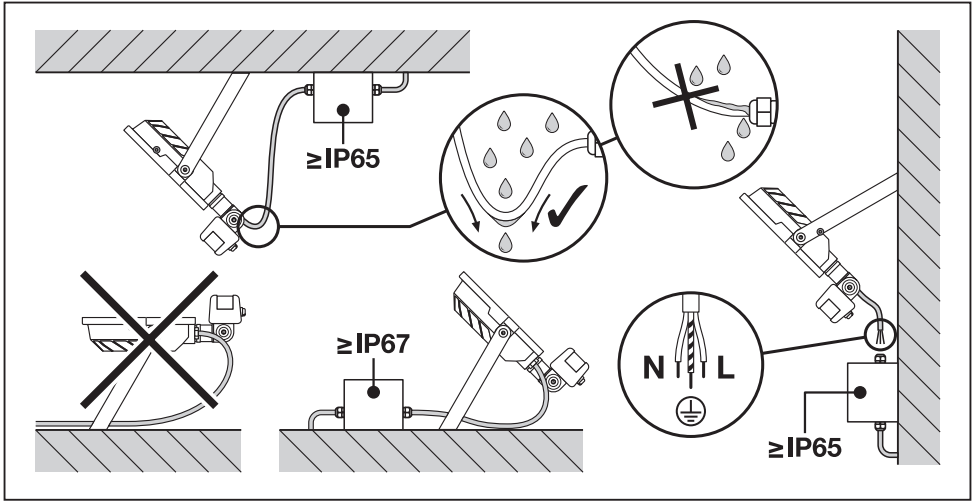
	EAN	IP	IK	∠	R _a	°(°C)	PF	⚙️
FL COMP SEN V 10W 830 SYM 100 BK	4058075575226	65	06/05	100°	≥ 80	-30...+45	> 0.8	0.3kg
FL COMP SEN V 10W 840 SYM 100 BK	4058075575240	65	06/05	100°	≥ 80	-30...+45	> 0.8	0.3kg
FL COMP SEN V 20W 830 SYM 100 BK	4058075575264	65	06/05	100°	≥ 80	-30...+45	> 0.8	0.4kg
FL COMP SEN V 20W 840 SYM 100 BK	4058075575288	65	06/05	100°	≥ 80	-30...+45	> 0.8	0.4kg
FL COMP SEN V 50W 830 SYM 100 BK	4058075575301	65	06/05	100°	≥ 80	-30...+45	> 0.9	0.6kg
FL COMP SEN V 50W 840 SYM 100 BK	4058075575325	65	06/05	100°	≥ 80	-30...+45	> 0.9	0.6kg












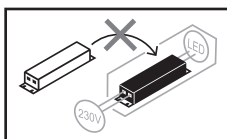
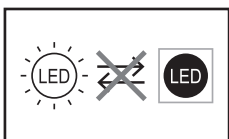
		A	B	C		 m ²	230 Vac		
		mm	mm	mm			C10A	B16A	C16A
10W		55	35	5.5	2xM5	0.007 m ²	116	159	185
20W		70	50	5.5	2xM5	0.009 m ²	64	88	103
50W		110	90	5.5	2xM5	0.018 m ²	26	36	42







	SENS  2.5 m 	LUX  	TIME  
	~2 m	< 10 lx	~10 sec ±3 sec
	~6 m	< 100 lx	~5 min ±2 min
	~12 m	< 2000 lx	~12 min ±3 min



C10449057
G11111396
22.03.21



LEDVANCE GmbH
Steinerne Furt 62
86167 Augsburg, Germany
www.ledvance.com