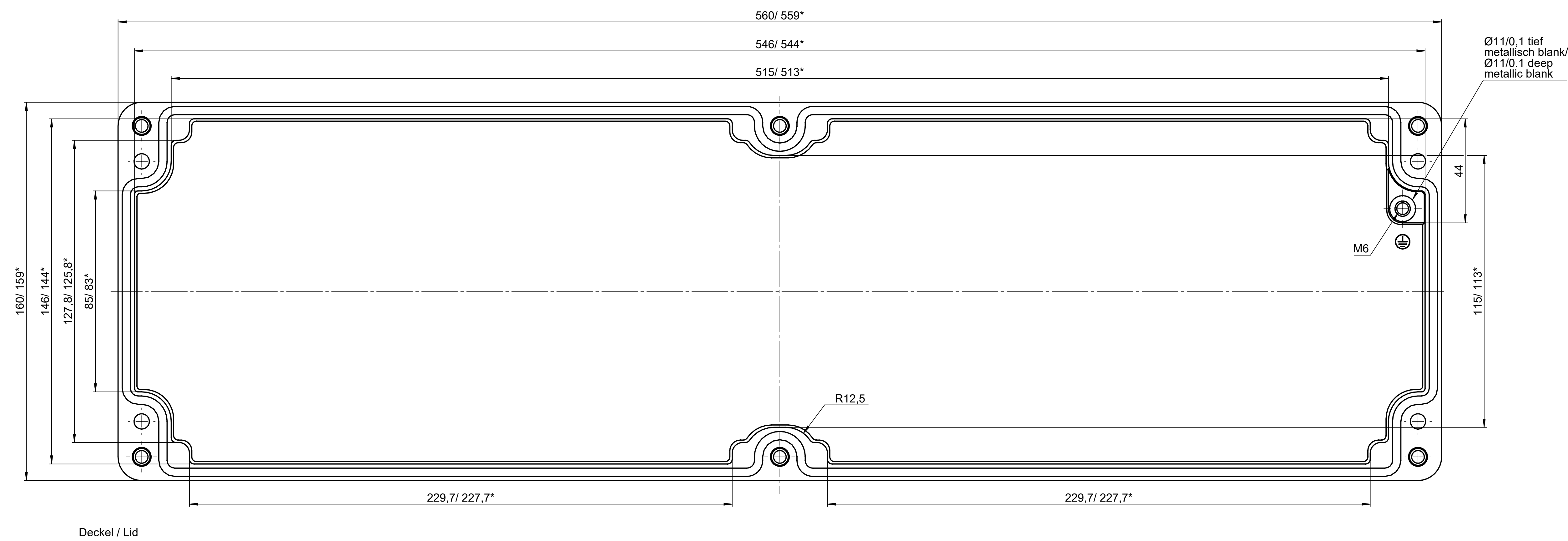
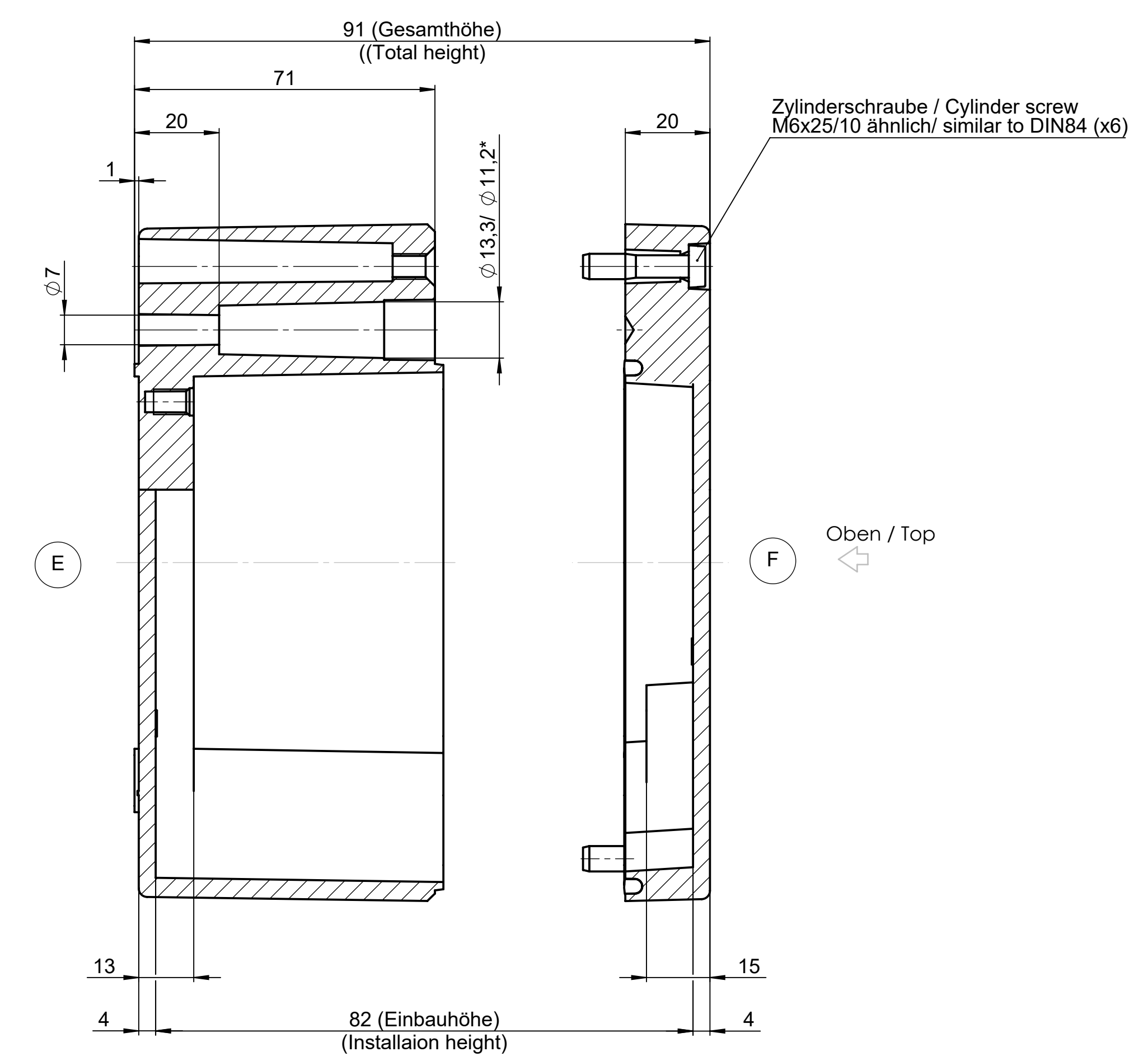
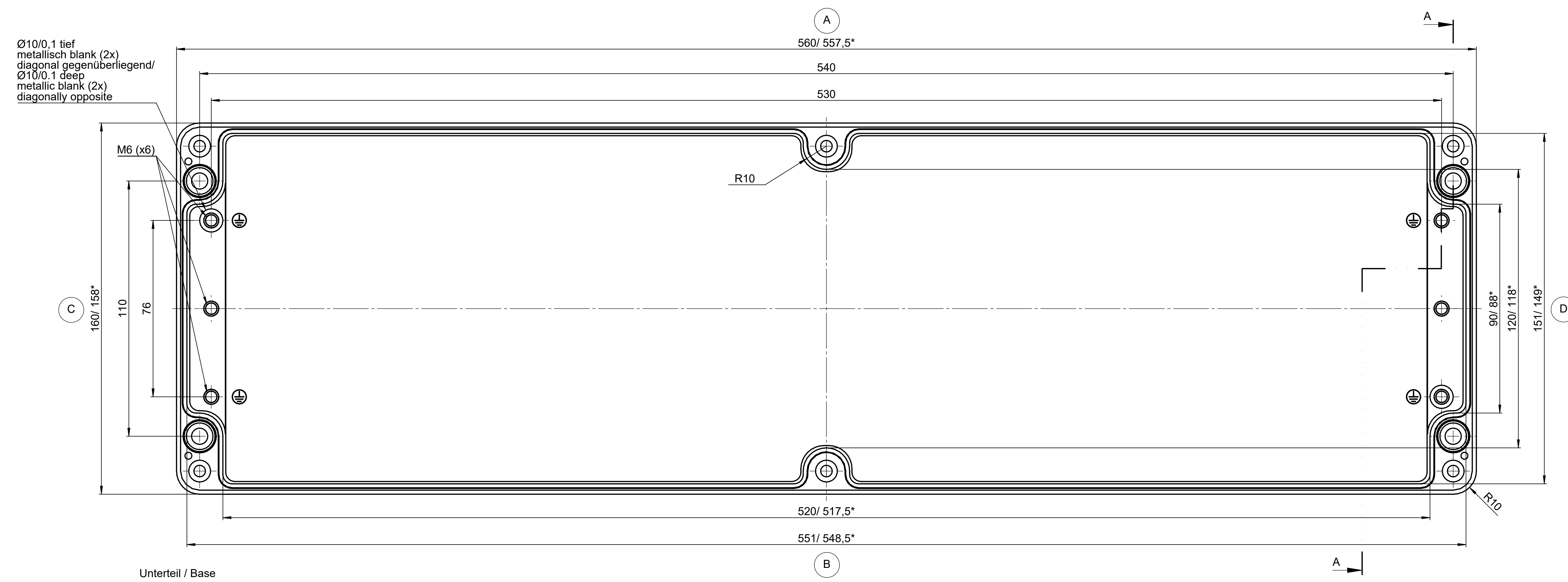


All rights reserved. No copies
 from this drawing may be made
 or used in any way
 without the written permission
 of the manufacturer.



* = Mass durch Formkonizität nach unten verringert.
 Freimass - Toleranz nach GTA 13/5 - DIN 1688
 * = Dimensions reduced in the lower part by mould incline
 General tolerances according to GTA 13/5 - DIN 1688



Index		Änderung/Modification		Datum/Date/Name		Projekt-Nr./project-no.	
ROSE		Systemtechnik GmbH		08.11.16 D.Mac		Gewicht/weight 4.01kg	
1:1		32457 Porta Westfalica		27.01.21 A.Hel		Werkstoff/Material	
DIN A0		Aluminium Gehäuse		Aluminium		DIN 1688-GTA 13/5	
		Aluminium enclosure				KAT01.165609	