

A

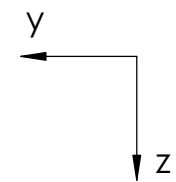
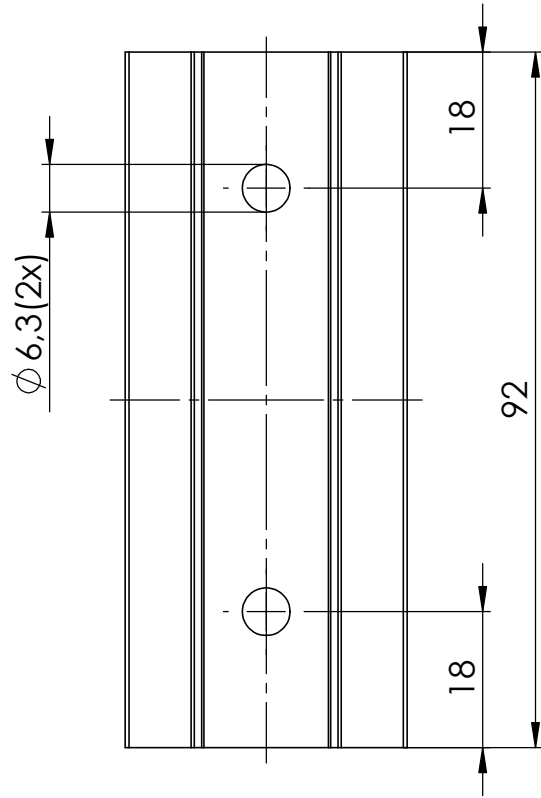
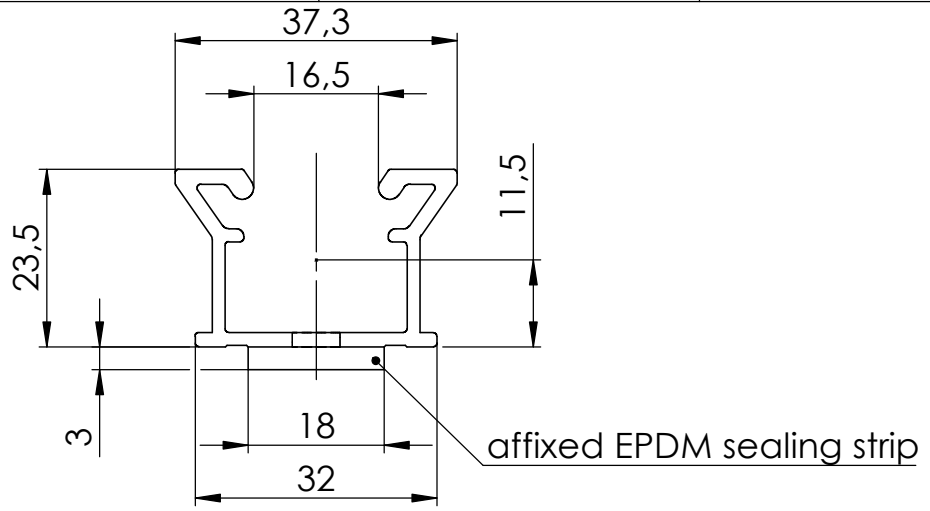
B

C

D

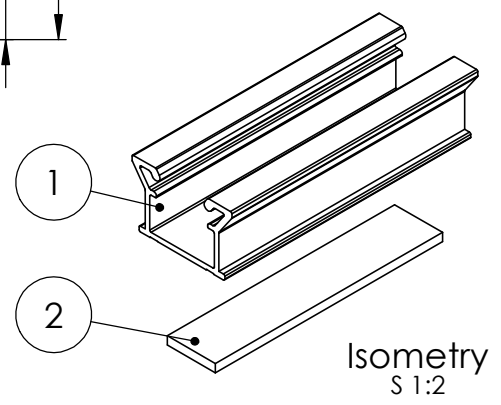
E

F



Characteristics for calculation:

- $A = 1,94 \text{ cm}^2$
- $I_y = 1,4925 \text{ cm}^4$
- $I_z = 2,9573 \text{ cm}^4$
- $W_y = 1,298 \text{ cm}^3$
- $W_z = 1,586 \text{ cm}^3$



Pos.-No.	Item no.	Designation	Material	Quantity
1	2003194	MicroRail 10 Solo	EN AW 6063 T66	1
2	2003200	EPDM MicroRail 10	EPDM	1

	K2 Systems GmbH Industriestr. 18 71272 Renningen 07159/42059-0			Designation: <h2 style="margin: 0;">Data sheet MicroRail 10</h2>				
		Name	Date	Material:	Item no.:	2003198	A4	
	Designed	V. Schütz	28.02.2020	see table	Drawing no.:	01-037-01	All dimensions in mm	
	Approved	S. Frey	03.08.2020	Surface: -			Sheet 1 of 1	
Last change	S. Frey	03.08.2020	Weight: ca. 49g/pc	Scale: 1:1 (1:2)				
This drawing is the sole property of K2 Systems GmbH. It is protected by copyright and may only be copied, reproduced or distributed to a third party with explicit permission!								