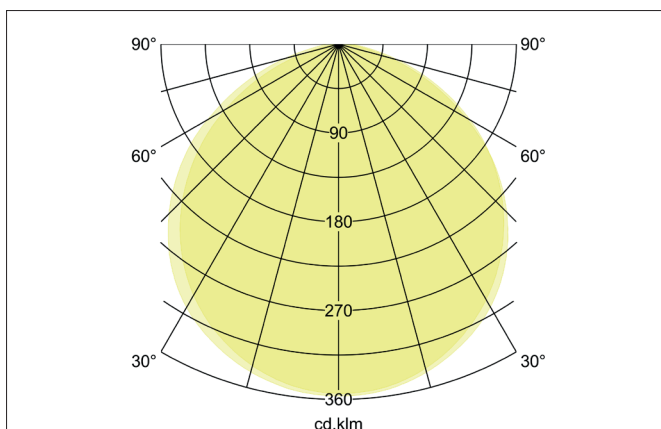
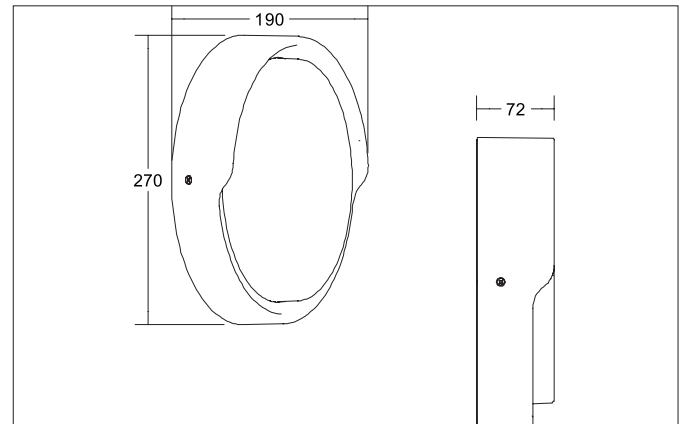


COATIS LED surface-mounted wall light, IP65, switchable

Article no. 10221103

Light.
For Generations.**Tender**

LED surface-mounted wall light, IP65, switchable, Oval., Hight 72.0 mm Weight 1.34 kg, with rotationssymmetrical, deep, wide distributed light intensity. optimal light distribution due to a plastic, opal cover. Luminous flux 875 lm, Power 1 x 12 W, Light colour warm white, Correlated color temprature (CCT) 3.000 K, Colour rendering index CRI > 80, Housing material: Aluminium, Colour: Graphite, Permissible ambient temperature (ta): -20 to +45°C, Protection class (EN 61140): I, Degree of protection (DIN EN 60529): IP65, .With electronic driver, on/off switchable.

Article data	
Article no.	10221103
GTIN	4255752500308
Series name	COATIS
Short description	LED surface-mounted wall light, IP65, switchable
Material	Aluminium
Colour	Graphite
Type of surface	Structure
Shape	Oval
Outer diameter	270 mm
Hight	72 mm
Scope of delivery	incl. converter for connection to 230 V mains voltage, switchable
Weight	1.340 kg

COATIS LED surface-mounted wall light, IP65, switchable

Article no. 10221103

Light.
For Generations.

Lighting technology	
Colour temperature	3.000 K
Light colour	White
Light output	Direct
Luminous flux	875 lm
System efficiency	73 lm/W
Colour rendering	CRI > 80
Luminaire optics	Cover satin
Beam angle	110°
Light sharing	Symmetric
Adjustable color temperature	No

Operating technology of the luminaire	
System output	12 W
Voltage type	AC
AC nominal voltage max	230 V
Frequency max	50 Hz
Frequency min	50 Hz
Lamp	LED
Lamp holder	Without fitting
Protection class	I
Degree of protection	IP65
Ambient temperature	-20 bis +45°C
Dimmable	No
Control	on/off
Bulb change possible	The light source of this luminaire may only be replaced by the manufacturer or a service technician commissioned by him or a similarly qualified person.

Mounting technology	
Mounting method	Surface mounting
Place of installation	Wall-mounted
Adjustability	Not adjustable
stamp	UKCA
Further references	Outdoor
Material cover	Plastic, opal
Suitable for through-wiring	No

Packing data	
Gross weight	1.54 kg
Length of packaging	195 mm
Packaging width	80 mm
Packaging height	275 mm
Disposal at end of life	This product must not be disposed of with household waste. You are obliged, to dispose of such electrical waste separately. By disposing of electrical waste and other old or defective electronics separately, you support recycling or other forms of re-use. In that way you help to take care and to avoid that harmful substances get into the environment.