

panel mounting socket outlet, angled - flange 75x75,
fixing centers 60x60

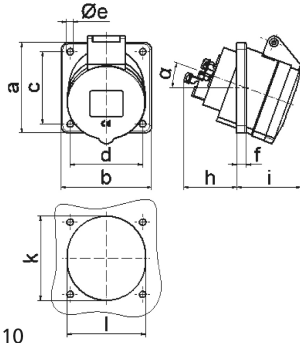


Product description	
BALS-Prd.-Nr	122001
EAN	4024941014595
Product category	Panel mounting socket outlet Quick-Connect, angled
Current	16A
Number of poles	5p
Arrangement of phases	3p+N+PE
Position of earth contact	6 h
Voltage	200/346 - 240/415V~

Product description	
Frequency	50/60Hz
Protection degree	IP44
Colour code	red RAL 3000
Colour of appliance	Hinged lid red RAL 3000, Enclosure grey RAL 7035
Connection design	screwless spring terminals with Kontex-Kontakt
Maximum conductor size	4,0 qmm
Cable entry	other
Height	90mm
Width	75mm
Depth	96mm
Flange size vertical in mm	75mm
Flange size horizontal in mm	75mm
Drill hole dist. vertical mm	60mm
Drill hole dist. horizontal mm	60mm
Material of enclosure	Polyamide
Contacts	The contact carrier is made of polyamide, The contacts are brass

Additional technical properties	
	The inclination is 20°

Logistics data	
Weight/pcs	0.132 kg / Piece
Packaging	Bag
Content amount	1 ST
EAN	4024941014595
Length	96 mm
Width	75 mm
Height	90 mm
Weight	0.133 kg
Volume	648 ccm
Packaging	Carton
Content amount	10 ST
EAN	4024941967570
Length	245 mm
Width	177 mm
Height	185 mm
Weight	1.453 kg
Volume	7,140 ccm



4 MB 110

Ampere	16					
Polzahl	5					
a	75,0					
b	75,0					
c	60,0					
d	60,0					
e \varnothing	5,5					
f	8,0					
h	46,0					
i	54,0					
k	70,0					
l	65,0					
α	20°					
Leiter mm ² min	1,5					
Leiter mm ² max	4					