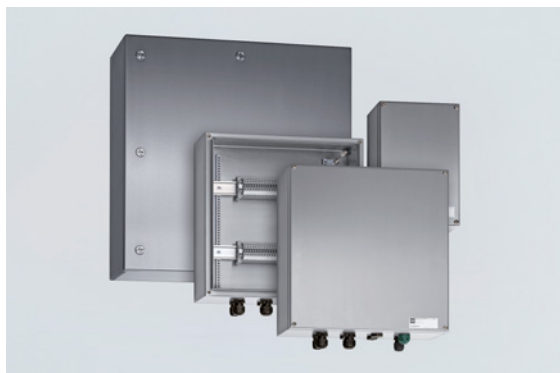


8150/1-0176-0176-091-3311 Art. No. 275133



- Resistant Ex e terminal boxes made from stainless steel, degree of protection IP66, external earth connection M8
- Version as screw-on cover or hinge cover with sash locks
- Equipped as required

WebCode **8150A**



R. STAHL Series 8150 Ex e terminal boxes are made of brushed stainless steel (1.4301, AISI 304 or 1.4404, AISI 316L) and are particularly resistant. The optimised design and the circumferential protection channel on the cover opening and the silicone seal suitable for the most extreme temperature ranges make the enclosure usable worldwide. Various optional accessories are available.

### Technical Data

#### Explosion Protection

Scope of validity	European Union (ATEX) IECEX
Application range (zones)	1 2 21 22
IECEX gas certificate	IECEX PTB 09.0048
IECEX gas explosion protection	Ex eb IIC T6/T5 Gb
IECEX dust certificate	IECEX PTB 09.0048
IECEX dust explosion protection	Ex tb IIIC T80 °C ... T95 °C Db
ATEX gas certificate	PTB 09 ATEX 1108
ATEX gas explosion protection	⊕ II 2 G Ex eb IIC T6/T5 Gb
ATEX dust certificate	PTB 09 ATEX 1108
ATEX dust explosion protection	⊕ II 2 D Ex tb IIIC T80 °C ... T95 °C Db
EAC certificate	TS RU S-DE.AA71.B.00120
EAC gas explosion protection	⊕ 1Ex e d ia mb IIC T6...T3 Gb X
EAC dust explosion protection	⊕ Ex tb IIIC T80°...T135°C Db X
Certificates	ATEX (PTB), Brazil (ULB), Canada (UL), China (NEPSI), EAC (LPE), IECEX (PTB), Korea (KGS), Taiwan (ITRI), USA (UL)
Ship approval	ABS, DNVGL
Notes	CCC certificate available from 2021 onward

#### Electrical Data

Rated operational voltage AC	690 V
Rated operational voltage AC UL	0 – 1000 V
Rated operational current UL	0 A

8150/1-0176-0176-091-3311 Art. No. 275133

### Ambient Conditions

Ambient temperature	-60 °C ... +40 °C (T6)
	-60 °C ... +55 °C (T5)

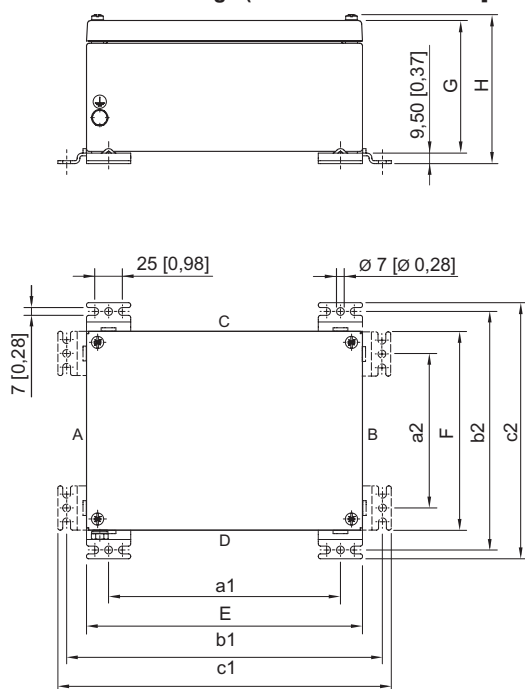
### Mechanical Data

Degree of protection IP (IEC 60529)	IP66
Enclosure material	1.4404 stainless steel, (AISI 316L), brush finished
External protective conductor connection	M8
Silicone-free	No
Connection cross-section	2.5 mm <sup>2</sup>
Installable terminals	2.5 mm <sup>2</sup>
Max. no. of terminals 2.5 mm <sup>2</sup>	19
Cover	Screw-on cover
Wall thickness	1.5 mm
Cover thickness	2 mm
Dimensions (WxHxD)	176.5 x 176.5 x 91 mm
Width	176.5 mm
Height	176.5 mm
Depth	91 mm
Material note	special version on request
Weight	2.54 kg
Weight	5.6 lb

### Components

Terminal rail	35 x 133 mm (1x)
Type of terminals 1	1 x Phoenix UT 2-conductor, 2.5 mm <sup>2</sup> , grey

### Dimensional Drawings (All Dimensions in mm [inches]) – Subject to Alterations



Width [mm]	Height [mm]	Depth [mm]	Total depth [mm]	Fixing dimensions [mm]
------------	-------------	------------	------------------	------------------------

8150/1-0176-0176-091-3311 Art. No. 275133

E	F	G	H	a1	a2	b1	b2	c1	c2
176.500	176.500	91.000							

## Accessories

### Assembly kit screw hinge

**Art. No.**



Retrofittable hinge for enclosure up to max. 400 x 400 mm

275739

We reserve the right to make alterations to the technical data, dimensions, weights, designs and products available without notice. The illustrations cannot be considered binding.