

Isolator Barriers

Transmitter supply unit

Field Circuit Ex i

9260/23-11-10s Art. No. 261386



- Universal use for transmitters
- Slim design – 12.5 mm wide – for one- and two-channel versions
- Can be used for safety levels up to SIL 2 (IEC/EN 61508)

WebCode 9260A



Series 9260 Ex i transmitter supply units can be used for the intrinsically safe operation of transmitters. The device allows HART signals to be transmitted in both directions. The portfolio includes one- and two-channel devices and a variant for signal duplication.

Technical Data

Explosion Protection

Application range (Zones)	2
Ex interface zone	0 1 2 20 21 22
IECEX certificate Gas	IECEX BVS 17.0082X
IECEX gas explosion protection	Ex nA [ia Ga] IIC T4 Gc
IECEX dust certificate	IECEX BVS 17.0082X
IECEX dust explosion protection	[Ex ia Da] IIIC
ATEX gas certificate	BVS 17 ATEX E 090 X
ATEX gas explosion protection	Ex II 3 (1) G Ex nA [ia Ga] IIC T4 Gc
ATEX dust certificate	BVS 17 ATEX E 090 X
ATEX dust explosion protection	Ex II (1) D [Ex ia Da] IIIC
Certificate cULus	E81680
Marking cULus	Class I, Div. 2, Groups A,B,C,D; Class I, Zone 2, AEx/Ex nA Group IIC AIS Class I,II,III, Div. 1, Groups A,B,C,D,E,F,G; Class I, Zone 0, [Ex ia] IIC T4 any mounting pos. Ta = 60°C See Doc. 9260 6 031 001 3
Certificates	ATEX (BVS), Canada / USA (UL), IECEX (BVS), SIL (BVS)
Ship approval	DNV GL

Safety Data

Max. voltage U_o/V_{oc}	25.2 V
Max. current I_o/I_{sc}	93 mA
Max. power P_o	587 mW

Isolator Barriers

Transmitter supply unit

Field Circuit Ex i

9260/23-11-10s Art. No. 261386



Safety Data

Max. permissible external capacitance C_o/C_a for IIC	0.107 μ F
Max. permissible external capacitance C_o/C_a for IIB	0.82 μ F
Max. permissible external inductance L_o/L_a for IIC	2 mH
Max. permissible external inductance L_o/L_a for IIB	4 mH
Internal capacitance C_i	negligible
Internal inductance L_i	negligible
Safety-related maximum voltage	253 V AC

Functional Safety

SIL	2
-----	---

Electrical Data

Number of channels	2
Transmitter supply mode	Yes
Isolating repeater mode	No
LFD relay	No
Communication signal	HART

Auxiliary Power

Auxiliary power	24 V DC
Auxiliary power nominal voltage	24 V DC
Auxiliary power voltage range	6
Nominal current	100 mA
Max. power dissipation	1.45 W
Power consumption	2.4 W
Polarity reversal protection	yes
Operation indication	LED green "PWR"

Galvanic Isolation

Test voltage according to standard	IEC EN 60079-11
Galvanic isolation Ex i input to output	375 V peak value
Galvanic isolation Ex i input to auxiliary power	375 V peak value
Test voltage according to standard 2	EN 61010 / EN 50178
Galvanic isolation output to auxiliary power	300 V_{eff}
Galvanic isolation output to output	300 V_{eff}

Input

Input function	Transmitter supply
Input	4 – 20 mA
Input signal	4 ... 20 mA with HART
Input functional range	0 ... 24 mA
Short-circuit current	$\geq 22,5$ mA
Supply voltage for transmitter	≥ 16 V bei 20 mA

Output

Output	4 ... 20 mA with HART
--------	-----------------------

Isolator Barriers

Transmitter supply unit

Field Circuit Ex i

9260/23-11-10s Art. No. 261386



Output	
Output A	4 ... 20 mA
Output B	4 ... 20 mA
Output signal	4 – 20mA active
Output current at $I_e=0$	0 mA
Output residual ripple	< 20 mV _{eff}
Output functional range	0 – 24 mA
Load resistance R_L max.	450 Ω
Settling time 10 ... 90 %	< 200 μ s
Deviation	\leq 0,1 %
Typical deviation	0.05 %
Temperature influence error limits	< 0,1 % / 10K
Behaviour of the output	= input signal

Ambient Conditions	
Ambient temperature °C	-20 °C ... +60 °C
Ambient temperature °F	-4 °F ... +140 °F
Storage temperature °C	-40 °C ... +80 °C
Storage temperature °F	-40 °F ... +176 °F
Max. relative humidity	10 ... 95 %
Use at the height of	<2000m
Electromagnetic compatibility	EN 61326-1 Use in industrial environment Immunity according to EN 61000-6-2 Interference emission to EN 61000-6-4

Mechanical Data	
Degree of protection (IP)	IP30
Terminal degree of protection (IP)	IP20
Fire resistance (UL 94)	V0
Enclosure material	Polyamide
Clamping range AWG	24 – 12
Connection cross-section AWG	24 ... 12
Grid dimension	12.5 mm
Width inches	4.43 in
Length inches	0.49 in
Mounting depth inches	4.51 in
Weight	0.195 kg
Weight	0.43 lb

Mounting / Installation	
Mounting type	DIN rail (NS35/15, NS35/7,5)
Mounting position	horizontal vertical
Connection type	Screw terminal
Conductor cross-section rigid min.	0.2 mm ²
Conductor cross-section solid max.	2.5 mm ²
Conductor cross-section flexible min.	0.2 mm ²
Conductor cross-section flexible max.	2.5 mm ²

Isolator Barriers

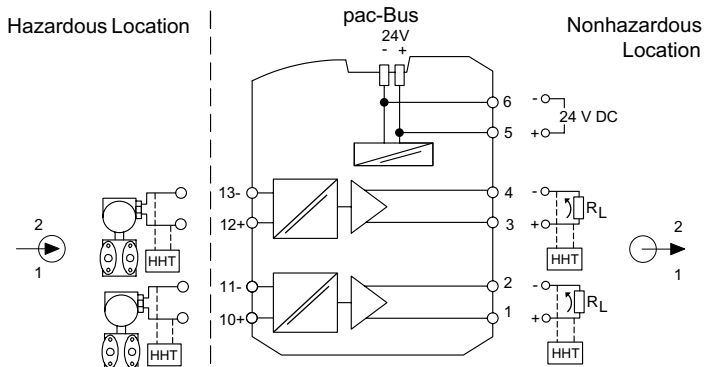
Transmitter supply unit

Field Circuit Ex i

9260/23-11-10s Art. No. 261386

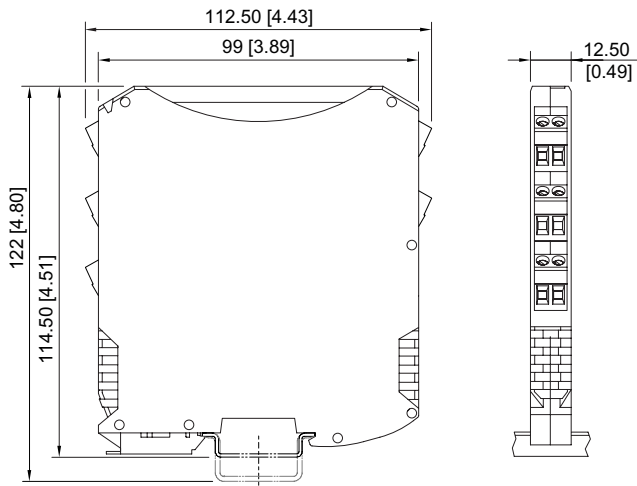


Technical Drawings – Subject to Alterations



Connection diagram 9260/23-11-10


Dimensional Drawings (All Dimensions in mm [inches]) – Subject to Alterations




ISpac Series 9260, 9265, 9270, 9275, 9276, 9282 with screw terminal

Accessories

Supply modul

		Art. No.
	Redundant supply of 24 V DC auxiliary power (with fuse) and reading the collective error message for 92xx series ISpac modules which support this function. Connection screw terminal	268183
	Redundant supply of 24 V DC auxiliary power (with fuse) and reading the collective error message for 92xx series ISpac modules which support this function. Connection spring clamp terminal	268184

pac-Bus

		Art. No.
	Wiring for power supply and common error messaging	262928

We reserve the right to make alterations to the technical data, dimensions, weights, designs and products available without notice. The illustrations cannot be considered binding.