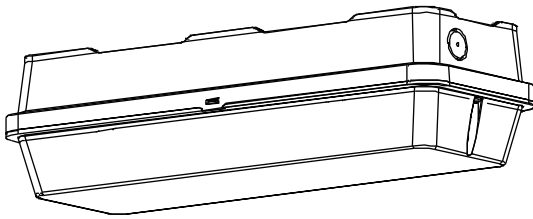


Porchlight

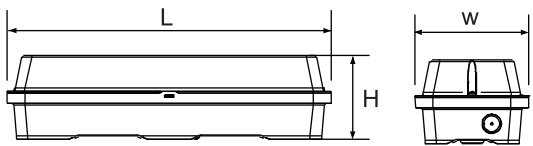
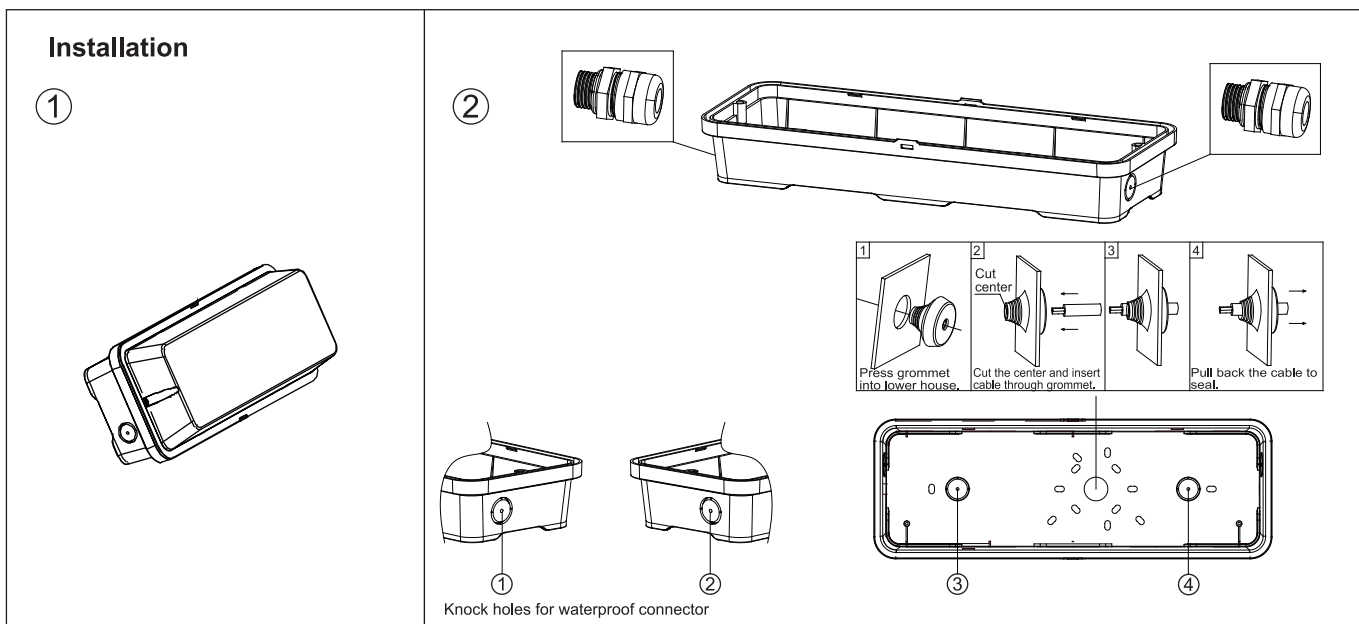
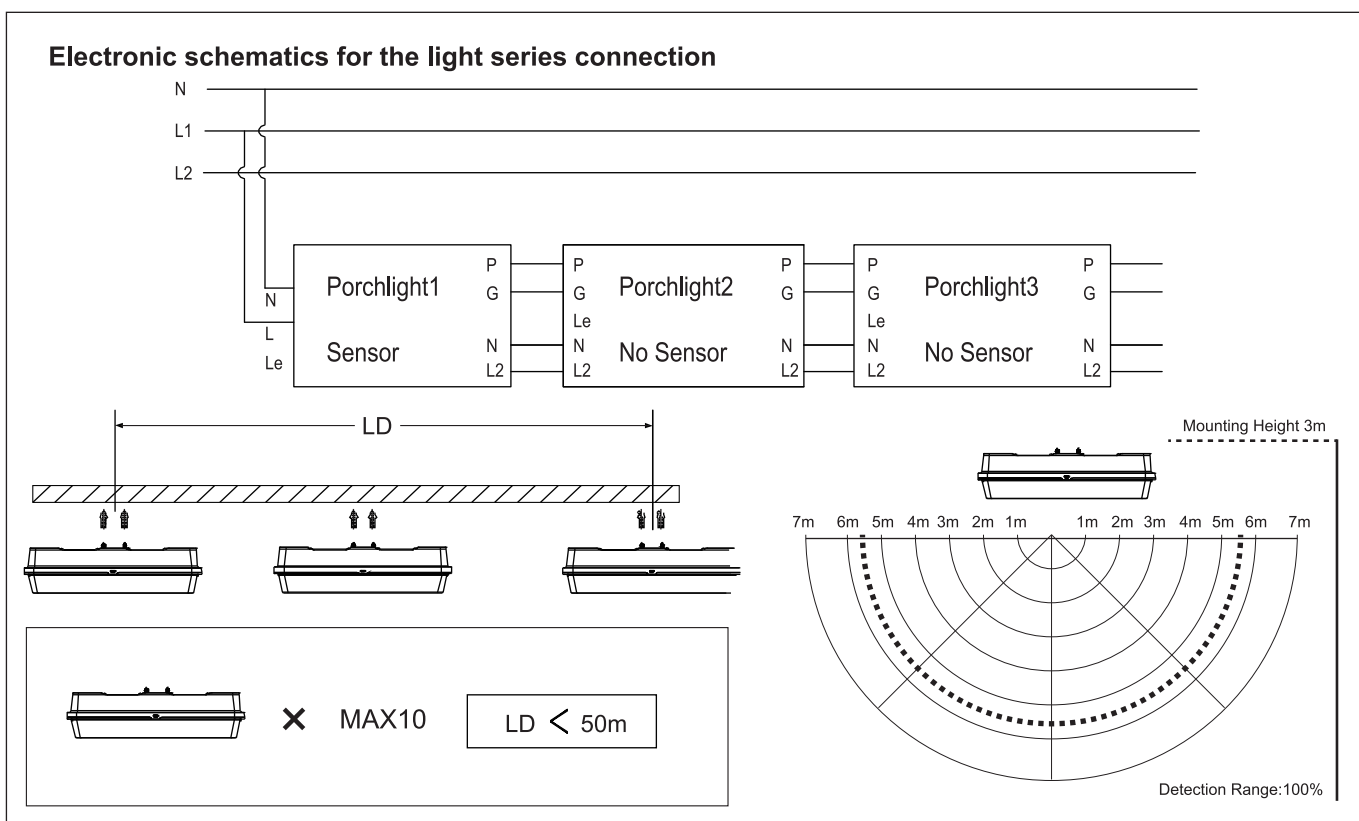
Version date 07-05-2018
www.opple.com

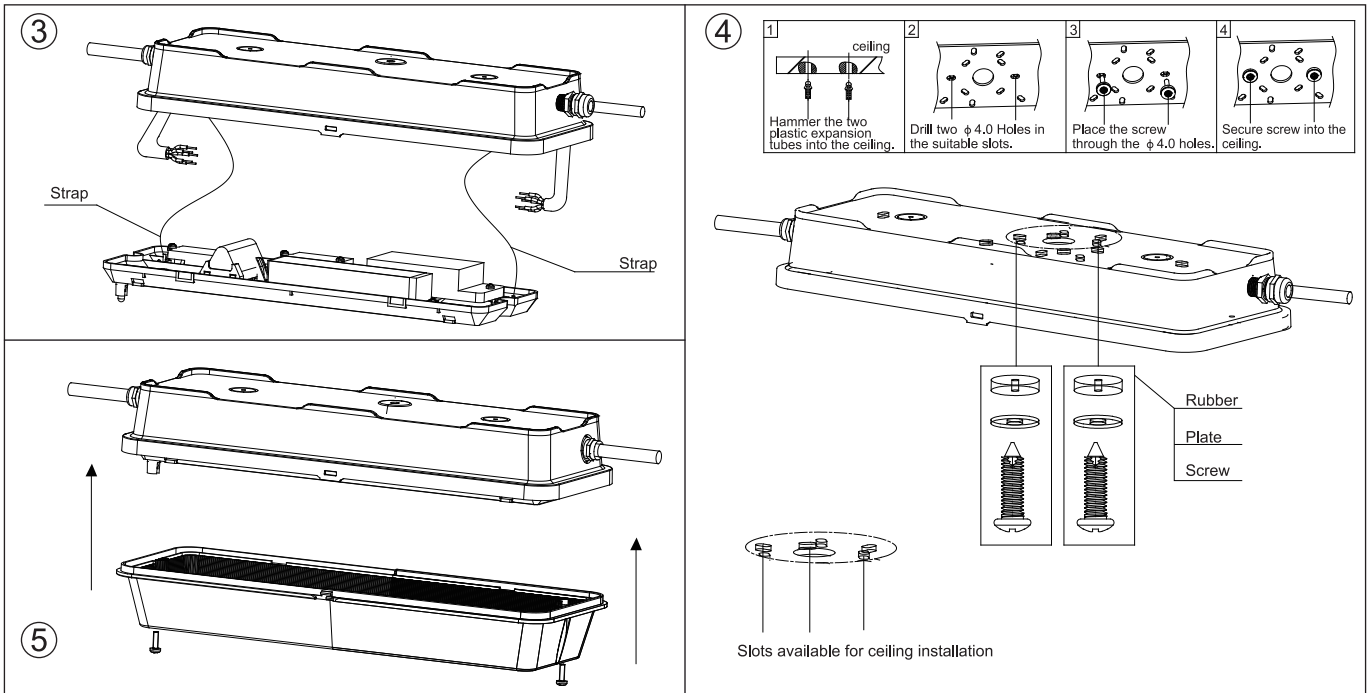
Item Code	CCT	kg
140064479	3000K	0.87kg
140064480	4000K	0.87kg
140064483	3000K	0.87kg
140064484	4000K	0.87kg



Type	L(mm)	W(mm)	H(mm)	Rated Voltage	Frequency	Rated Power
LED PR-E R120-6W-MD	344	121	89	220-240V~	50/60Hz	6W
LED PR-E R120-9W-MD	344	121	89	220-240V~	50/60Hz	9W

Note: I(Input) = I(Driver) + I(Others)
6W: 0.049A(Input) 0.024A (Driver)
9W: 0.056A(Input) 0.036A (Driver)



Layout

terminal block

LED driver

sensor

sensor

terminal block

Motion Sensor

Daylight Sensor

Switch available to modify the sensors functionality

Detection Area	Hold Time	Fixed Settings Do not modify
I 1 2	I 3 4	I 5 6 7 8
I ON ON 100%	I ON ON SS	I NA NA NA
II ON 75%	II ON 05S	II NA NA NA
III ON 50%	III ON 3SH	III NA NA NA
IV 25%	IV OFF IV NA NA NA	IV NA NA NA

Daylight Sensor Function					
	1	2	3	4	OPEN CLOSE
I	ON	ON	ON	ON	5Lux 25Lux
II	ON	ON	ON	—	10Lux 50Lux
III	ON	ON	—	ON	25Lux 75Lux
IV	ON	ON	—	—	50Lux 100Lux
V	ON	—	ON	—	100Lux 200Lux
VI	ON	—	—	—	150Lux 300Lux
VII	—	ON	—	—	200Lux 400Lux
VIII	—	—	—	—	Disable

LN

PE

N



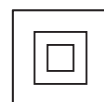
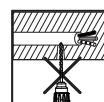
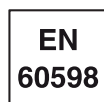
For non-user replaceable light sources.

"The light source contained in this luminaire shall only be replaced by the manufacturer or his service agent or a similar qualified person."



In case of damage to the wire, it has to be replaced only by the manufacturer, distributor or by an expert, to avoid risks.

Zur Vermeidung von Risiken müssen defekte Leitungen ausschließlich vom Hersteller, Inverkehrbringer oder Fachmann ausgetauscht werden.



Data subject to change
Les données sont sujettes à modifications
Änderungen vorbehalten

Opple Lighting Electronic (Zhongshan) Co., Ltd.
Building A, No.275 Dongan Bei Road,
Haizhou District,
Guzhen Town,
Zhongshan City,
Guangdong, China.

OPPLE Lighting B.V.
Materiaalweg 6-6A
5681 RJ Best
The Netherlands
service@opple.com
www.opple.com