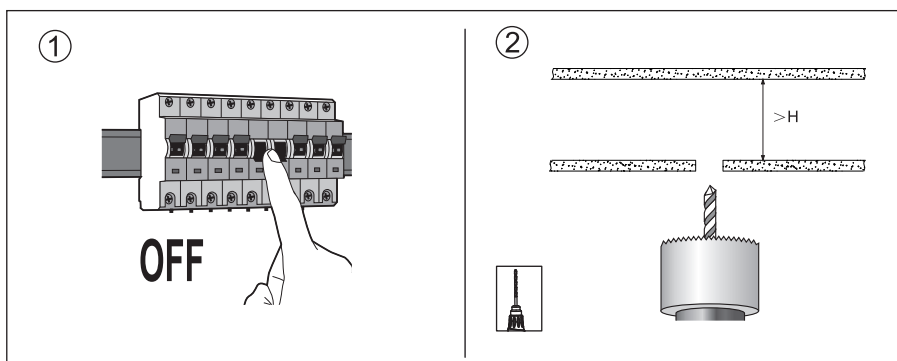
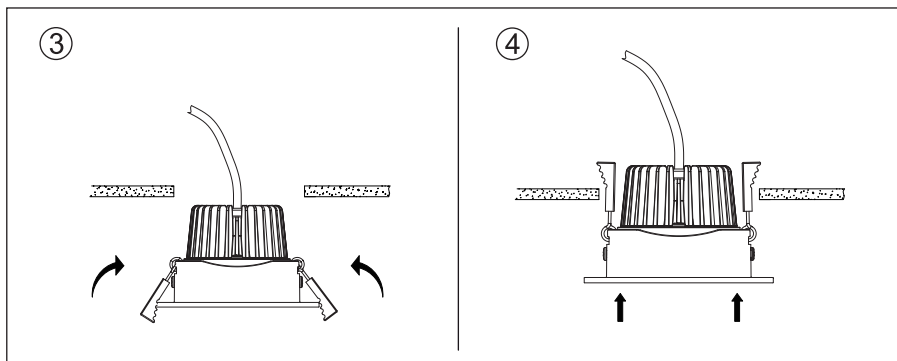


## LED Recessed Spot & Downlight

Art. Code	Family Name	CCT	kg
541003207100	Ava2	2700K	0.2425Kg
541003207200	Ava2	3000K	0.2425Kg
541003207300	Ava2	2700K	0.2425Kg
541003207400	Ava2	3000K	0.2425Kg
541003207500	Ava2	2700K	0.2425Kg
541003207600	Ava2	3000K	0.2425Kg
541003207700	Ava2	2700K	0.2425Kg
541003207800	Ava2	3000K	0.2425Kg



Art.Code	D (mm)	H (mm)	Cut out (mm)
541003207100	85	53	Ø68-75
541003207200	85	53	Ø68-75
541003207300	85	53	Ø68-75
541003207400	85	53	Ø68-75
541003207500	85	53	Ø68-75
541003207600	85	53	Ø68-75
541003207700	85	53	Ø68-75
541003207800	85	53	Ø68-75

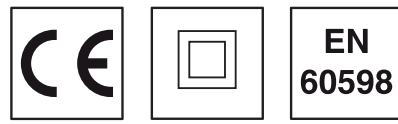
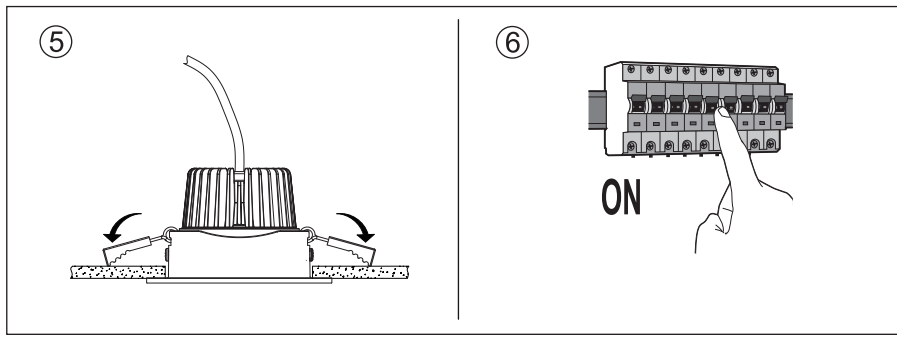


**Warning:** For non-user replaceable light sources: The light source contained in this luminaire shall only be replaced by the manufacturer or his service agent or a similar qualified person. Otherwise the whole luminaire shall be replaced.

**Warning:** Luminaires not suitable for covering with thermally insulating material.

**Warning:** Leuchten sind nicht mit thermisch isolierenden Materialien abzudecken.

If the external flexible cable or cord of this luminaire is damaged, it shall be exclusively replaced by the manufacturer or his service agent or a similar qualified person in order to avoid a hazard.



**Dimming:** The product can exclusively be dimmed with following dimmer types up to a maximum of 8 spots per dimmer.

Art.Code: 541003207100, 541003207200, 541003207300, 541003207400, 541003207500, 541003207600, 541003207700, 541003207800.

Brand	Model	Power
BUSCH	6523 U	2-100W
BUSCH	6523U-102	10-250W/LED2-100W
BUSCH	6523 UR-103	230V~ 50/60Hz 20-400W
NIKO	310-02900	3-300W/LED3-200W

Brand	Model	Power
JUNG	1721DD	20-420W/LED3-100W
JUNG	1730DD	20-210W/LED3-60W
GIRA	2450 00/I01	20-210W/LED3-60W
GIRA	2455 00/I01	20-420W/ LED 3-200W