

Signalling Devices

Audible signalling device Sounder

In flameproof enclosure Increased safety

8491/25-024 Art. No. 145281

STAHL



- Horn: Directional/max. 105 dB(A)
- Type of protection: Ex e
- Class: IP55/65 (IEC 60529)
- Robust PC/ABS enclosure
- Stainless steel mountings and console sealing element included
- Signal horn series 8491/1: With trumpet and connection line
- Signal horn series 8491/2: Compact design with Ex e connection chamber

WebCode 8491A



Product series 8491 are audio signalling devices that provide alerts, warnings or signals in hazardous areas, made from a robust PC/ABS blend. Mounting takes place using angle mounting.

The versions of the 8491/1 series have been developed for use in gas hazardous areas. They feature a trumpet for optimum sound bundling and a connection line.

The compact signal horns in the 8491/2 series have a connection chamber and can be used both indoors and outdoors in gas and dust hazardous areas.

Technical Data

Explosion Protection

Scope of validity	IECEX European Union (ATEX)
Application range (zones)	1 2 21 22
ATEX gas certificate	BVS 03 ATEX E 159 X
ATEX gas explosion protection	⊕ II 2 G Ex eb mb IIC T5 Gb
ATEX dust certificate	BVS 03 ATEX E 159 X
ATEX dust explosion protection	⊕ II 2 D Ex tb IIIC T70 °C Db
EAC certificate	EAEU RU C-DE.HA91.B.00051/19
EAC gas explosion protection	⊕ 1 Ex e mb IIC T5 Gb X
EAC dust explosion protection	⊕ Ex tb IIIC T70°C Db X
Certificates	ATEX (BVS), EAC (ENDCE)

Electrical Data

Rated operational voltage DC	24 V
Back-up fuse	8560/51-4143

Acoustic Data

Sound pressure level	max. 105 dB(A) @ 1 m
----------------------	----------------------

Ambient Conditions

Ambient temperature	-40 °C ... +50 °C
---------------------	-------------------

Mechanical Data

Degree of protection IP (IEC 60529)	IP65
Enclosure material	PC/ABS
Connection terminals solid max.	2.5 mm ²

Signalling Devices



Audible signalling device Sounder
In flameproof enclosure Increased safety
8491/25-024 Art. No. 145281

Mechanical Data

Connection terminals finely-stranded max.	2.5 mm ²
Width	178 mm
Height	207 mm
Length	104 mm
Enclosure colour	Black
Weight	1.5 kg
Weight	3.31 lb

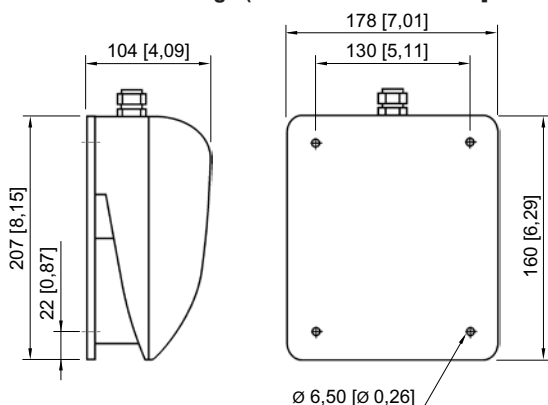
Mounting / Installation

Connection type	Screw terminal
-----------------	----------------

Components

Safety nominal value	500 mA
Drilled holes	1 x M16
Cable entries	1 x M16 Ø 6.5 – 9.5 mm

Dimensional Drawings (All Dimensions in mm [inches]) – Subject to Alterations



Signal horn, compact design with connection chamber

We reserve the right to make alterations to the technical data, dimensions, weights, designs and products available without notice. The illustrations cannot be considered binding.