



- Simple, front-end parameterization
- Bit refresh function improves signal quality
- Adjustable transmission speeds of 1.2 kbit/s and 1.5 Mbit/s - automatic with PROFIBUS DP
- Intrinsically Safe field interface for RS-485

WebCode **9185A**



9185/11 series fieldbus isolating repeaters are the interface between intrinsically safe and non-intrinsically safe PROFIBUS DP segments, Modbus RTU segments and other similar fieldbus segments. These devices galvanically separate intrinsically safe bus interfaces (RS-422/RS-485) from non-intrinsically safe interfaces (RS-232, RS-422 or RS-485).

Technical Data

Explosion Protection

Application range (zones)	2
Ex interface zone	1 2 21 22
IECEX gas certificate	IECEX BVS 06.0004 X
IECEX gas explosion protection	Ex nA [ib Gb] IIC T4 Gc
IECEX dust certificate	IECEX BVS 06.0004 X
IECEX dust explosion protection	[Ex ib Db] IIIC
ATEX gas certificate	DMT 02 ATEX E 246 X
ATEX gas explosion protection	⊕ II 3 (2) G Ex nA [ib Gb] IIC T4 Gc
ATEX dust certificate	DMT 02 ATEX E 246 X
ATEX dust explosion protection	⊕ II (2) D [Ex ib Db] IIIC
Certificate FMus	FM16US0122X
Certificate cFM	FM16CA0067X
Marking cFMus	Class I, Div. 2, Groups A,B,C,D; Class I, Zone 2, AEx/Ex nA Group IIC AIS Class I,II,III, Div. 1, Groups A,B,C,D,E,F,G; Class I, Zone 1, [AEx ib]/[Ex ib] IIC T4 at Ta = 70°C See Doc. 91 856 01 31 1
EAC certificate	EAEU RU S-DE.HA91.B.00100/20
EAC certificate valid until	2025-01-26
EAC gas explosion protection	⊕ 2 Ex nA [ib Gb] IIC T4 Gc X
EAC dust explosion protection	⊕ [Ex ib Db] IIIC X
Certificates	ATEX (BVS), Canada (FM), EAC (ENDCE), IECEX (BVS), India (PESO), USA (FM)
Ship approval	CCS, EU RO MR
Notes	CCC certificate available from 2021 onward

Safety Data

Maximum voltage U_o	3.73 V
Maximum current I_o	149 mA
Maximum power P_o	139 mW
Max. voltage U_i connection RS-485 IS	$\pm 4,2$ V
Internal capacitance C_i	Negligible
Internal inductance L_i	Negligible
Safety-related maximum voltage	253 V

Electrical Data

Signal types	RS-485 Ex i
Protocols	ServiceBus R.STAHL (IS1) HART Modbus PROFIBUS DP
Interface field area level	setting: RS-485 IS (PNO specification) and RS-485 IS (R. STAHL specification)
Connections	Sub-D socket X3, 9-pole (Interface field area)
Interface data rate field side	1,2 kbit/s - 1,5 Mbit/s
Interface settings	Fixed transmission speed or automatic detection > 9.6 kbit/s (only with Profibus DP)
Line length interface field area	depends on transmission rate and cable
Data transmission indication	LED green "Rx/D2"
Electrical interface data rate	1.2 kbit/s - 1.5 Mbit/s
Connection electrical interfaces	Sub-D socket X1, 9-pole
Terminating resistor interface field area	to be set in external plug
Field side of interfaces	RS-485 IS (PNO)

Auxiliary Power

Auxiliary power	24 V AC / DC
Nominal voltage	24 V UC
Auxiliary power voltage range	24 V AC $\pm 15\%$, 18 ... 31.2 V DC
Voltage range residual ripple	$\leq 3,6$ V _{SS}
Nominal current	66 mA
Power consumption	1.6 W
Polarity reversal protection	Yes

Ambient Conditions

Ambient temperature	-20 °C ... +70 °C (Single device) -20 °C ... + 60 °C (Group assembly)
Ambient temperature	-4°F ... +158°F (Single device) -4°F ... +140°F (Group assembly)
Storage temperature	-40 °C ... +80 °C
Storage temperature	-40°F ... +176°F
Relative humidity max.	95%
Use at the height of	< 2000 m
Electromagnetic compatibility	Tested to the following standards and regulations: EN 61326-1 Use in industrial environment

Mechanical Data

Degree of protection (IP)	IP30
Terminal degree of protection (IP)	IP20
Fire resistance (UL 94)	V0

Mechanical Data

Connection cross-section	0.2-2.5 mm ² flexible 0.2-2.5 mm ² rigid 0.25-2.5 mm ² flexible core end sleeve
Enclosure material	Polyamide
Clamping range AWG	16 – 12
Connection cross-section AWG	16 ... 12
Grid dimension	35.2 mm
Width inches	1.39 in
Length inches	4.25 in
Mounting depth inches	4.51 in
Weight	0.35 kg
Weight	0.77 lb

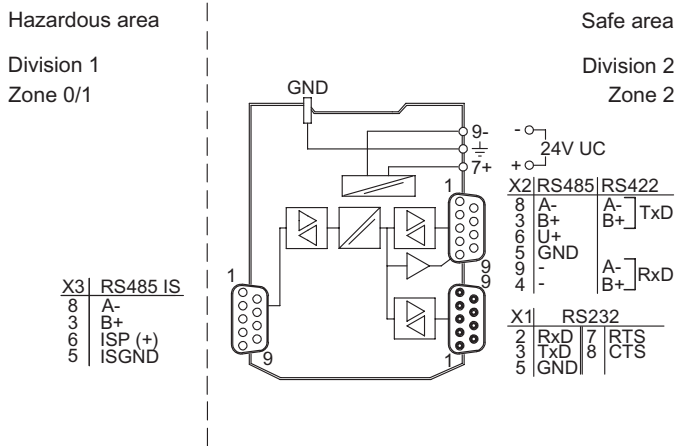
Mounting / Installation

Mounting orientation	horizontal or vertical
Mounting position	Vertical Horizontal
Connection type	Screw terminal

Components

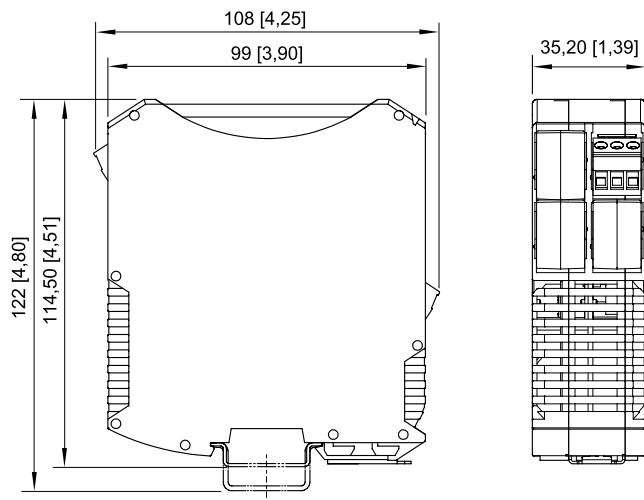
Safe interface area	RS 232, RS 422, RS 485
---------------------	------------------------

Technical Drawings – Subject to Alterations



Connection diagram 9185/11

Dimensional Drawings (All Dimensions in mm [inches]) – Subject to Alterations



I spac Series 9143, 9185, 9192 with screw terminal

Accessories

SUB-D socket



9-pin for connection of the fieldbus or ServiceBus to the CPU & power module Series 9440/22 and fieldbus-isolating repeater 9185. Integrated terminator can be switched on or off. For RS 485 IS to PNO standard.

Art. No.

162693

Sub-D plug, angled



9-pin, for connection of fieldbus or ServiceBus to CPU & Power Module Type 9440/12 and fieldbus isolating repeater Type 9185. The termination resistance is built-in. Suitable for RS-485 IS (PNO standard).

Art. No.

201805

We reserve the right to make alterations to the technical data, dimensions, weights, designs and products available without notice. The illustrations cannot be considered binding.