

TN three-way domestic connector - with cable sleeve, with suspension clip



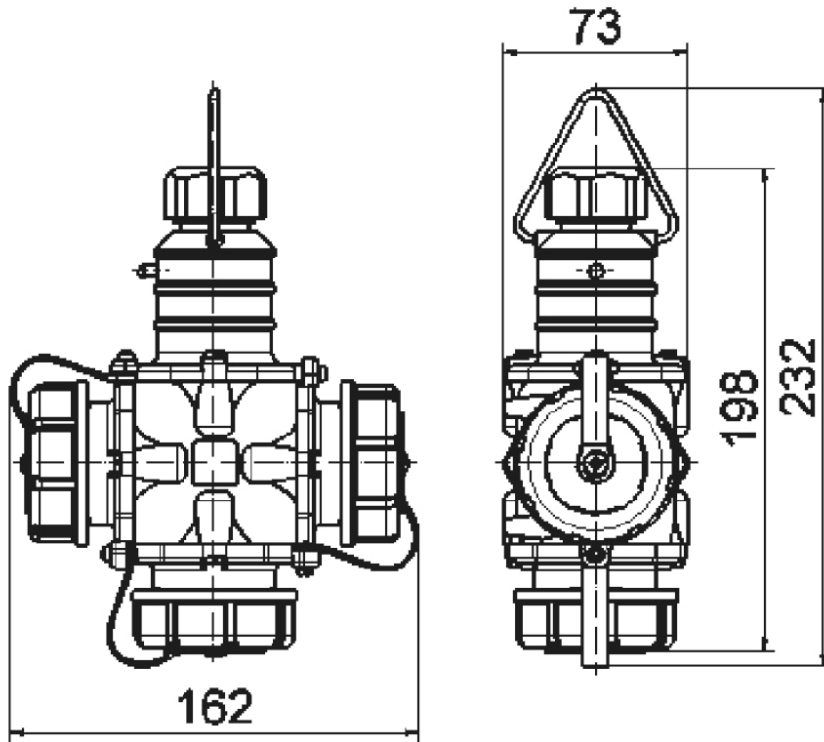
| Product description | |
|-----------------------|---------------------------------|
| BALS-Prd.-Nr | 7400 |
| EAN | 4024941074001 |
| Product category | TN three-way domestic connector |
| Current | 16A |
| Number of poles | 3p |
| Arrangement of phases | 2P+PE |
| Voltage | 250V~ |
| Frequency | AC |

| Product description | |
|------------------------|--|
| VG-type-no.: | VG 96926 04 ES |
| Supply no.: | 5935-12-123-0129 |
| Protection degree | IP68 |
| Colour code | bronze-green RAL 6031-F9 |
| Colour of appliance | Hinged lid bronze-green RAL 6031-F9, Enclosure bronze-green RAL 6031-F9, Bayonet ring bronze-green RAL 6031-F9 |
| Connection design | head-screw terminal |
| Maximum conductor size | 2,5 qmm |
| Cable entry | with cable gland |
| Height | 232mm |
| Width | 162mm |
| Depth | 73mm |
| Material of enclosure | rubber |
| Contacts | The contact carrier is made of high temperature resistant material, the contacts are brass nickel plated |

| Additional technical properties | |
|---------------------------------|---|
| | With cable gland, For cable diameter up to max. 18.0 mm |
| | With bayonet cover on strap, With closure cap |

| Logistics data | |
|----------------|-----------------|
| Weight/pcs | 0.67 kg / Piece |

| Logistics data | |
|----------------|---------------|
| Packaging | Bag |
| Content amount | 1 ST |
| EAN | 4024941074001 |
| Length | 73 mm |
| Width | 162 mm |
| Height | 232 mm |
| Weight | 0.671 kg |
| Volume | 2,743.632 ccm |
| Packaging | Carton |
| Content amount | 2 ST |
| EAN | 4024941840231 |
| Length | 275 mm |
| Width | 175 mm |
| Height | 137 mm |
| Weight | 1.465 kg |
| Volume | 5,737.5 ccm |



18 MB 27