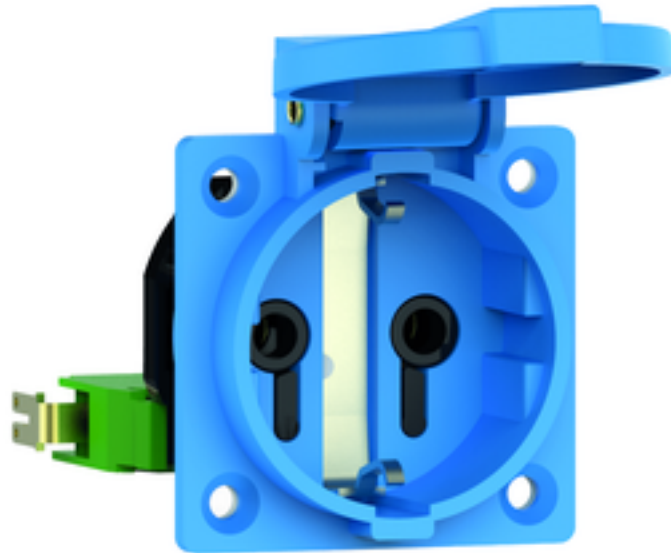


panel mounting socket outlet, straight - flange 50x50, with auxiliary contact normally open

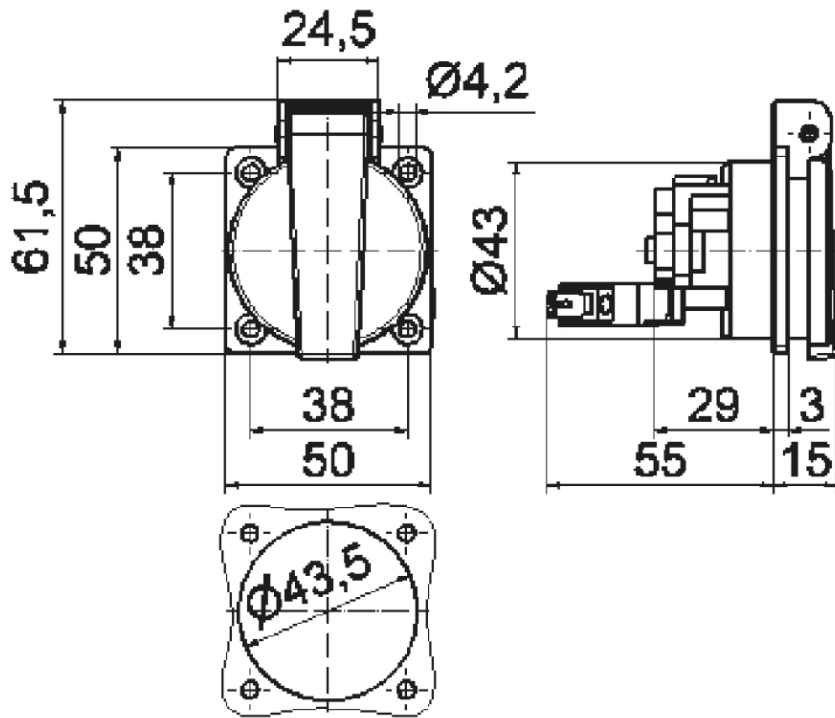


Product description	
BALS-Prd.-Nr	7154
EAN	4024941071543
Product category	Domestic panel mounting socket outlet, straight, System F German standard
Current	16A
Number of poles	3p
Arrangement of phases	2P+PE
Voltage	250V~
Frequency	AC

Product description	
Protection degree	IP54
Colour code	blue RAL 5015
Colour of appliance	Hinged lid blue RAL 5015, Enclosure blue RAL 5015
Connection design	head-screw terminal
Maximum conductor size	4,0 qmm
Cable entry	other
Height	61.5mm
Width	54.5mm
Depth	70mm
Flange size vertical in mm	50mm
Flange size horizontal in mm	50mm
Drill hole dist. vertical mm	38mm
Drill hole dist. horizontal mm	38mm
Material of enclosure	plastic
Contacts	The contact carrier is made of high temperature resistant material, the contacts are brass nickel plated

Additional technical properties	
	The connection is rear
	With N.O.contact normally open
	With hinged lid

Logistics data	
Weight/pcs	0.04 kg / Piece
Packaging	Bag
Content amount	1 ST
EAN	4024941071543
Length	70 mm
Width	54.5 mm
Height	61.5 mm
Weight	0.041 kg
Volume	234.623 ccm
Packaging	Carton
Content amount	20 ST
EAN	4024941835688
Length	275 mm
Width	175 mm
Height	137 mm
Weight	0.925 kg
Volume	5,737.5 ccm



18 MB 36