

TN panel mounted sockets domestic type - flange 75x75, fixing centers 60x60



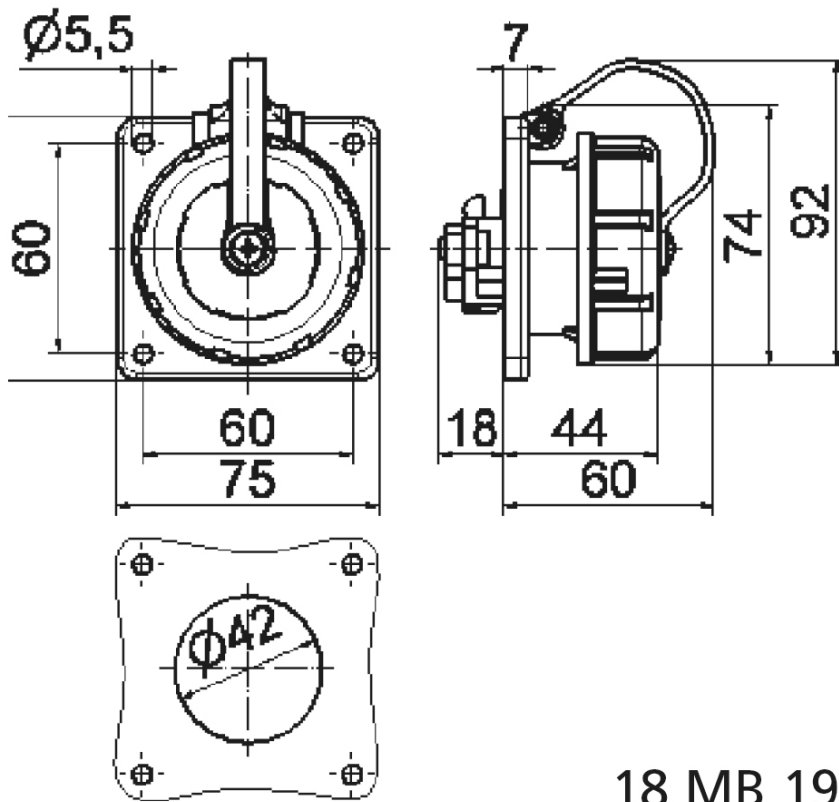
| Product description | |
|-----------------------|--|
| BALS-Prd.-Nr | 7108 |
| EAN | 4024941071086 |
| Product category | TN domestic panel mounting socket outlet, straight, System F German standard |
| Current | 16A |
| Number of poles | 3p |
| Arrangement of phases | 2P+PE |
| Voltage | 250V~ |
| Frequency | AC |

| Product description | |
|--------------------------------|--|
| VG-type-no.: | VG 96926 AS 001 |
| Supply no.: | 5935-12-312-5115 |
| Protection degree | IP68 |
| Colour code | bronze-green RAL 6031-F9 |
| Colour of appliance | Hinged lid bronze-green RAL 6031-F9, Enclosure bronze-green RAL 6031-F9, Bayonet ring bronze-green RAL 6031-F9 |
| Connection design | head-screw terminal |
| Maximum conductor size | 4,0 qmm |
| Cable entry | other |
| Height | 75mm |
| Width | 75mm |
| Depth | 78mm |
| Flange size vertical in mm | 75mm |
| Flange size horizontal in mm | 75mm |
| Drill hole dist. vertical mm | 60mm |
| Drill hole dist. horizontal mm | 60mm |
| Material of enclosure | plastic |
| Contacts | The contact carrier is made of high temperature resistant material, the contacts are brass nickel plated |

| Additional technical properties | |
|---------------------------------|---|
| | with german earthing system, The connection is rear |

| Additional technical properties | |
|---------------------------------|-----------------------------|
| | With bayonet cover on strap |

| Logistics data | |
|----------------|------------------|
| Weight/pcs | 0.128 kg / Piece |
| Packaging | Bag |
| Content amount | 1 ST |
| EAN | 4024941071086 |
| Length | 78 mm |
| Width | 75 mm |
| Height | 75 mm |
| Weight | 0.129 kg |
| Volume | 438.75 ccm |
| Packaging | Carton |
| Content amount | 10 ST |
| EAN | 4024941840132 |
| Length | 275 mm |
| Width | 175 mm |
| Height | 137 mm |
| Weight | 1.405 kg |
| Volume | 5,737.5 ccm |



18 MB 19