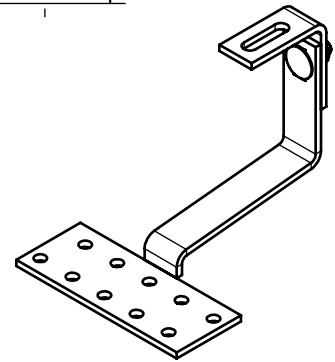



Isometrie  
1 : 5



Pos.No.	Designation	Material	Quantity
1	SolidHook VAR1 COP H18 153 30x5 Base plate	1.4016 acc. to EN 10088-2 min Rp0,2=260N/mm <sup>2</sup>	1
2	SolidHook VAR1 COP H18 153 30x5 Bracket	1.4016 acc. to EN 10088-2 min Rp0,2=260N/mm <sup>2</sup>	1
3	SolidHook VAR1 COP H18 153 30x5 Angle	1.4016 acc. to EN 10088-2 min Rp0,2=260N/mm <sup>2</sup>	1
4	mushroom head square neck bolt - ISO 8677	A2-70	1
5	hexagon flange nut DIN6923_ISO 4161	A2-70	1

 <p>K2 Systems GmbH Industriestr. 18 71272 Renningen Germany +49 7159 42059-0</p>	Designation: <b>Data sheet SolidHook VAR1 COP H18 153 30x5</b>				
	Name: Stegmaier	Date: 02.12.2008	Material: see table	Item no.: <b>1001068</b>	<b>A4</b>
Approved: B. Koch	Date: 10.01.2023	Surface: sandblasted	Drawing no.: 02-022-04	All dimensions in mm	
Last change: A. Soumpalas	Date: 10.01.2023	Weight: ca. 752.2 g/pc	Scale: 1:2	Sheet 1 of 1	
This drawing is the sole property of K2 Systems GmbH. It is protected by copyright and may only be copied, reproduced or distributed to a third party with explicit permission!					