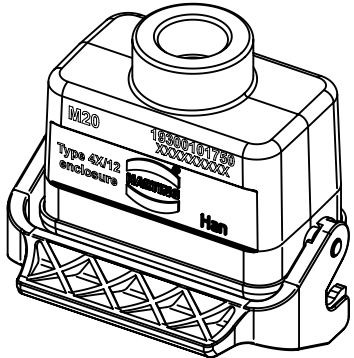
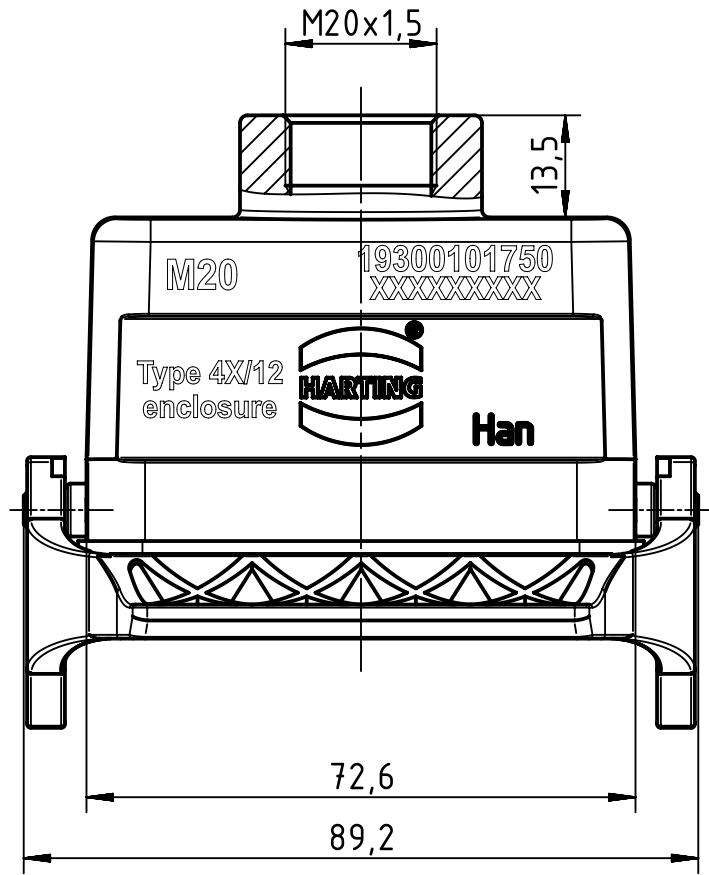
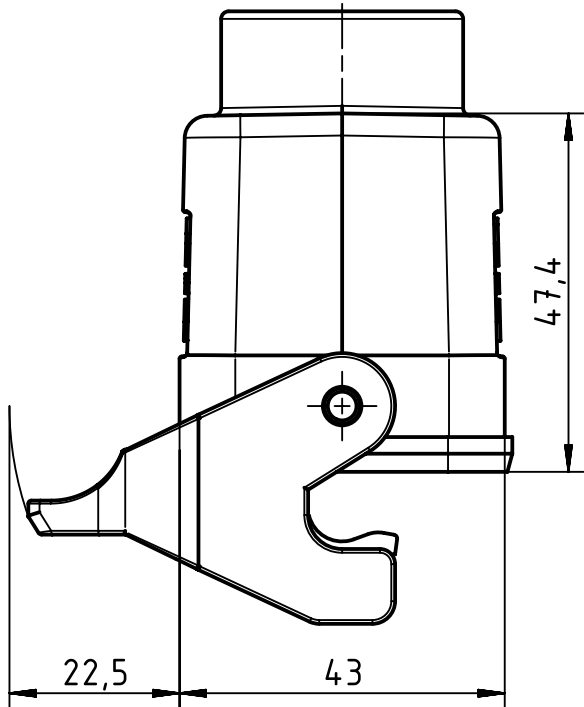


A

B

C

D



	All Dimensions in mm Original Size DIN A4		Scale 1:1	Free size tol.		Ref.
			Created by FINKEV	Inspected by GERB	Standardisation SCHMIDTM	Date 2018-09-05
All rights reserved Department EL PD		Title Han 10B-kg-LB-M20		State Final Release		Doc-Key / ECM-Nr. 100192189/UGD/004/C 500000138601
HARTING Electric GmbH & Co. KG D-32339 Espelkamp		Type TB	Number 19 30 010 1750		Rev. C	Page 1/1