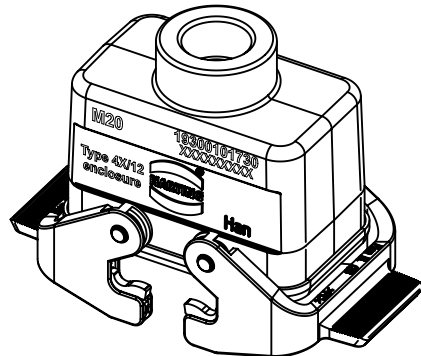
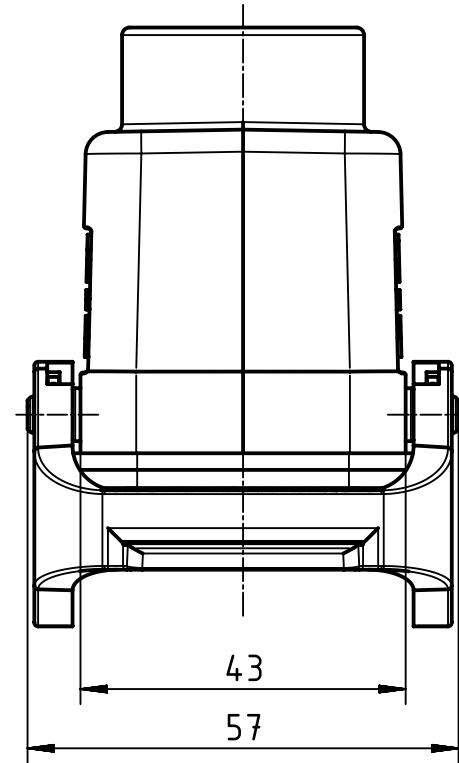
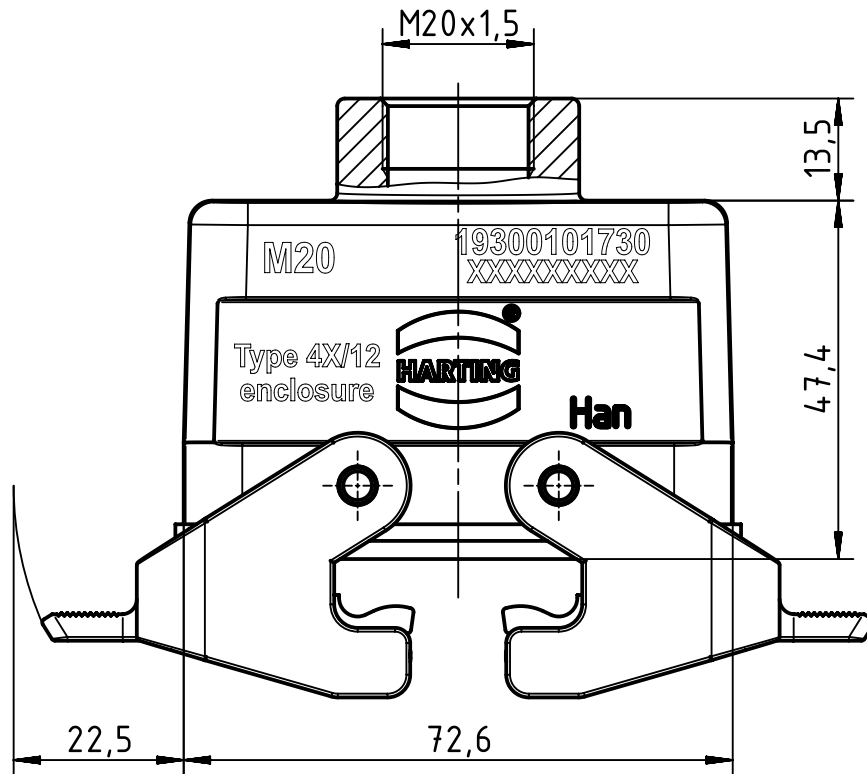


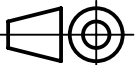

A

B

C

D



 All Dimensions in mm Original Size DIN A4	Scale	Free size tol.			Ref.
	1:1				Sub.
 All rights reserved Department EL PD	Created by	Inspected by	Standardisation	Date	State
	FINKEV	GERB	SCHMIDTM	2018-09-05	Final Release
HARTING Electric GmbH & Co. KG D-32339 Espelkamp	Title				Doc-Key / ECM-Nr. 100192188/UGD/004/C 500000138601
	Type	Number			
	TB	19 30 010 1730			Rev. C
					Page 1/1