

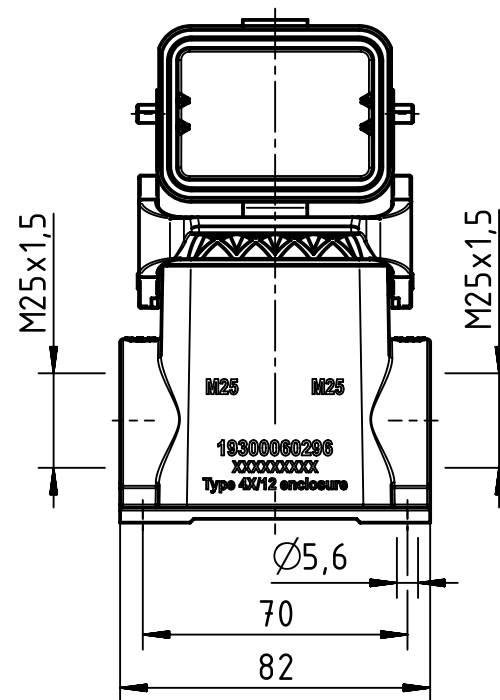
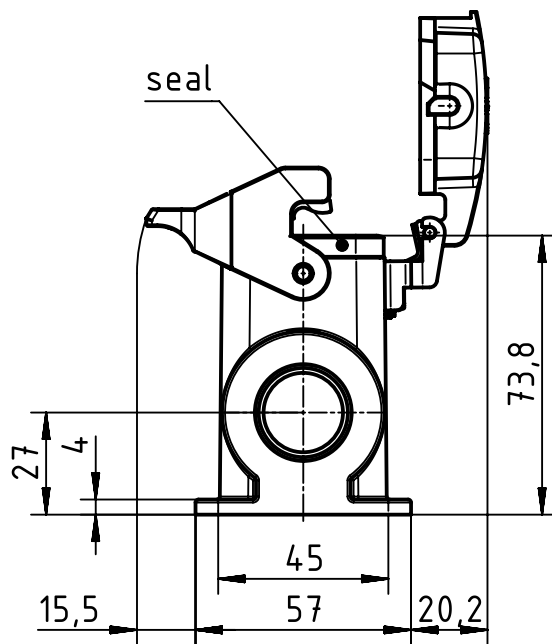
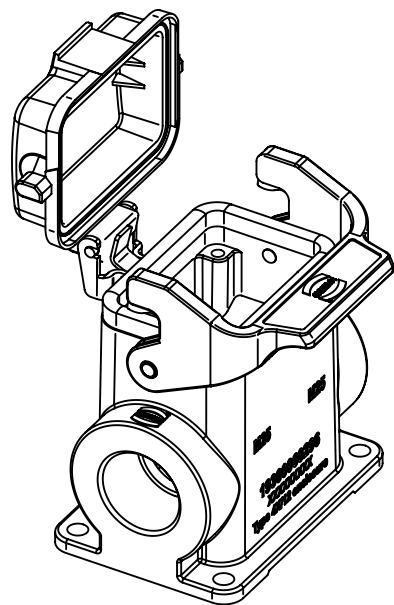
1 2 3 4 5 6


A

B

C

D



	All Dimensions in mm Original Size DIN A4		Scale 1:2		Free size tol.		Ref.			
	All rights reserved Department EL PD		Created by RULLKOETTER		Inspected by BERGHORN		Standardisation TIEMANNA			
HARTING Electric GmbH & Co. KG D-32339 Espelkamp		Title Han B Base SM HC plastic cover M25					Date 2016-04-08		State Final Release	
		Type TB					Number 19 30 006 0296		Doc-Key / ECM-Nr. 100207207/UGD/004/B 500000101654	
							Rev. B		Page 1/1	