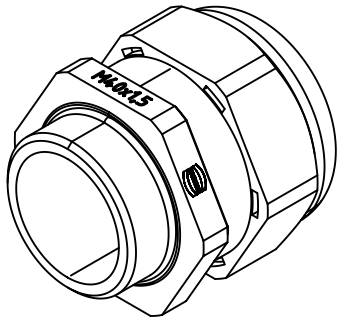
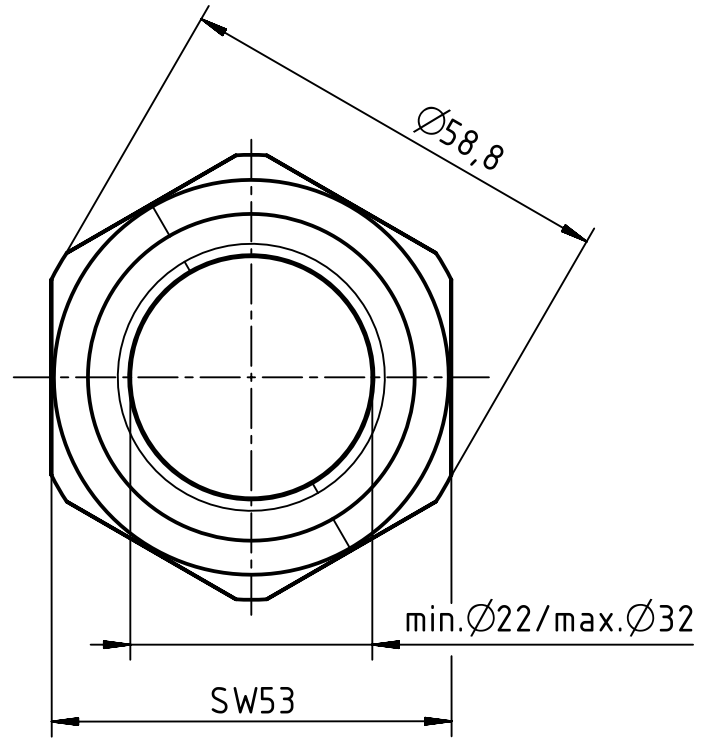
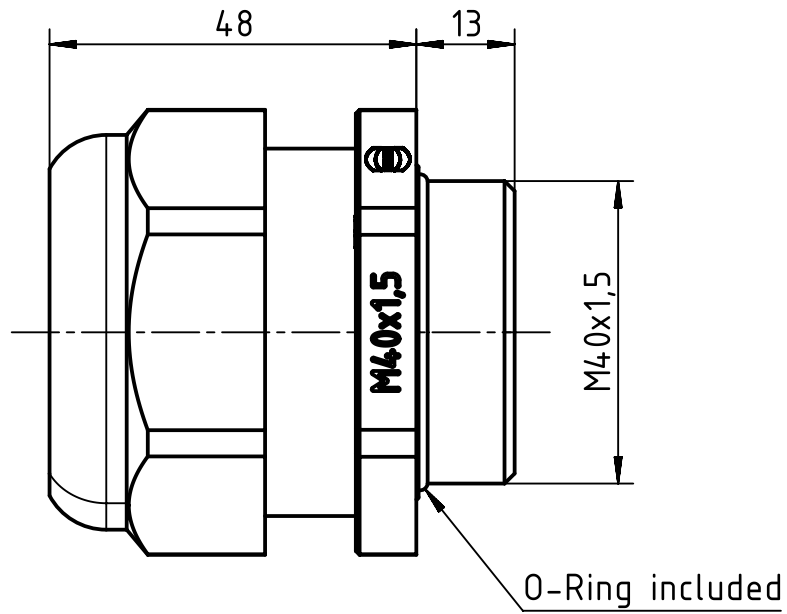


A

B

C

D



	All Dimensions in mm Original Size DIN A4		Scale 1:1	Free size tol.		Ref.
						Sub.
	All rights reserved		Created by LONGL	Inspected by DINGB	Standardisation TIEMANNA	Date 2016-03-04
	Department EL PD - DE		Title Han CGM-P M40x1,5 D. 22-32mm black			State Final Release
HARTING Electric GmbH & Co. KG D-32339 Espelkamp			Type TB	Number 19 00 000 5189		Doc-Key / ECM-Nr. 100644452/UGD/001/B 500000100783
					Rev. B	Page 1/1