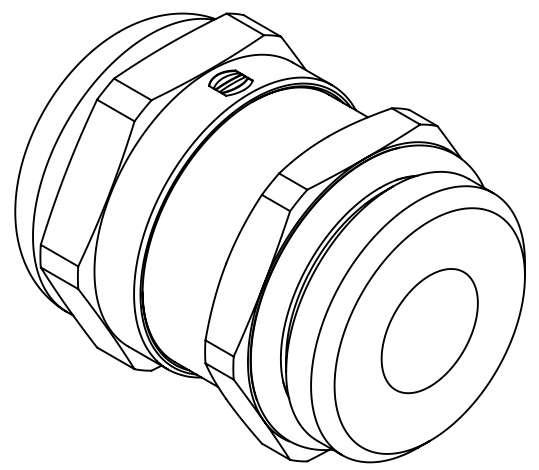
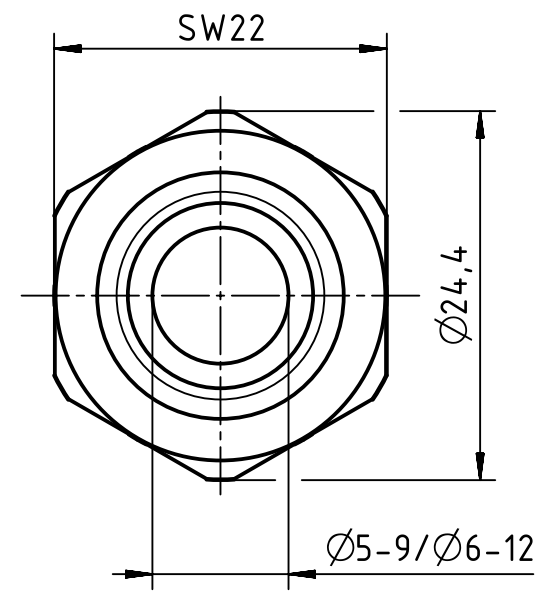
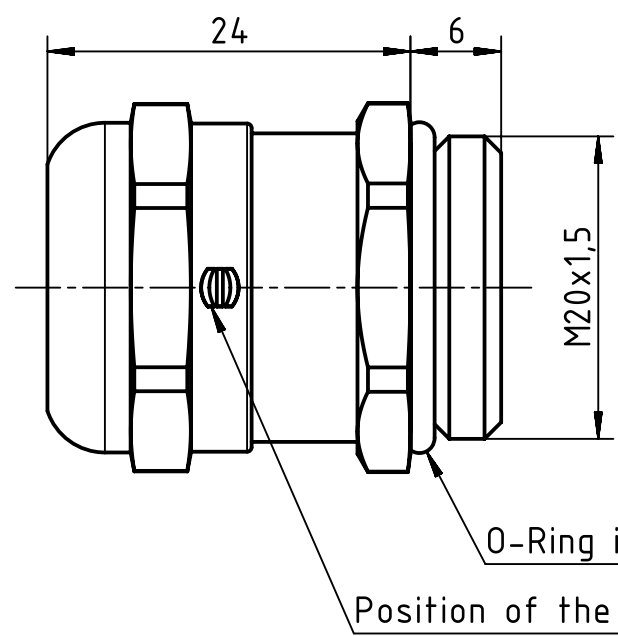


A

B

C

D



	All Dimensions in mm Original Size DIN A4		Scale 2:1	Free size tol.		Ref.	
						Sub.	
	All rights reserved		Created by LONGL	Inspected by DINGB	Standardisation TIEMANNA	Date 2016-03-24	State Final Release
	Department EL PD - DE		Title Han CGM-M M20x1,5 D.5-9mm/6-12mm			Doc-Key / ECM-Nr. 100177120/UGD/007/C 500000102288	
HARTING Electric GmbH & Co. KG D-32339 Espelkamp			Type TB	Number 19 00 000 5081		Rev. C	Page 1/1