

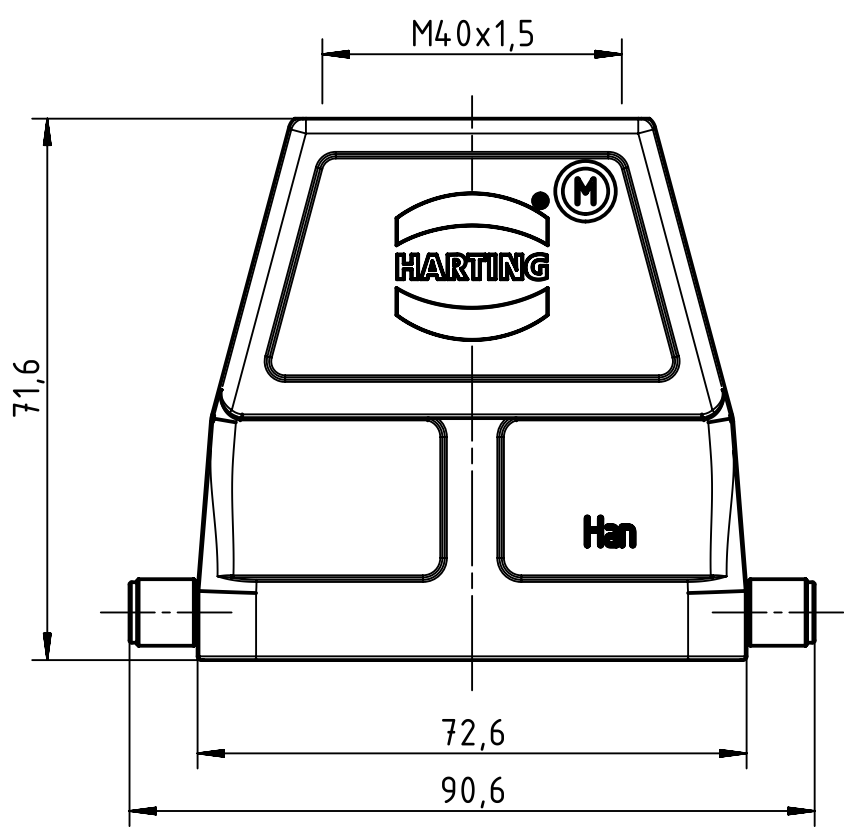
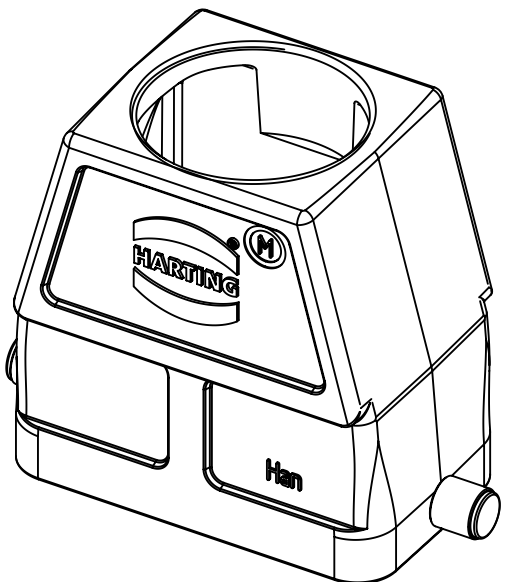
1 2 3 4 5 6

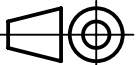

A

B

C

D



 All Dimensions in mm Original Size DIN A4	Scale 1:1		Free size tol.		Ref.	
	Created by HOLLERT		Inspected by RIEPE		Standardisation TIEMANNA	
 All rights reserved Department EL PD - DE	Date 2013-12-09		State Final Release		Doc-Key / ECM-Nr. 100559789/UGD/004/A 500000069360	
	HARTING Electric GmbH & Co. KG D-32339 Espelkamp		Title Han 10B-gg-R-M40 Type TB		Number 19 30 010 0448 Rev. A	
						Page 1/1