

## wall mounting socket outlet, switched, interlocked - housing dimensions 170x90



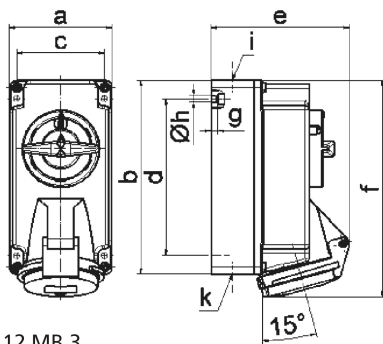
Product description	
BALS-Prd.-Nr	1610
EAN	4024941016100
Product category	TE wall mounting socket outlet, switched, interlocked
Current	16A
Number of poles	4p
Arrangement of phases	3P+PE
Position of earth contact	6 h
Voltage	380 - 415V~

Product description	
Frequency	50/60Hz
Protection degree	IP44
Colour code	red RAL 3000
Colour of appliance	Hinged lid red RAL 3000, Housing bottom grey RAL 7035, Housing top grey RAL 7035, Control knob grey RAL 7035
Connection design	screwless spring terminals with Kontex-Kontakt
Maximum conductor size	4,0 qmm
Cable entry	top entry M20 bottom entry M25/20
Height	189mm
Width	90mm
Depth	114mm
Dimension of enclosure	170x90 mm (HxW)
Material of enclosure	Polycarbonate
Contacts	the contacts are brass nickel plated, The contact carrier is made of high temperature resistant material

Additional technical properties	
	The cable entry is one at top open and two at bottom closed
	In 0-position lockable for 3 padlocks with bow diameter up to 7 mm, Lower part of housing rotatable by 180°

Logistics data	
Weight/pcs	0.605 kg / Piece

Logistics data	
Packaging	Carton
Content amount	1 ST
EAN	4024941016100
Length	205 mm
Width	102 mm
Height	134 mm
Weight	0.665 kg
Volume	2,118.48 ccm



Ampere	16	16	16			
Polzahl	3	4	5			
a	90,0	90,0	90,0			
b	170,0	170,0	170,0			
c	77,0	77,0	77,0			
d	137,5	137,5	137,5			
e	108,0	114,0	121,0			
f	188,5	188,5	190,0			
g	6,0	6,0	6,0			
h ø	5,5	5,5	5,5			
i	M20	M20	M20			
k	M20/25	M20/25	M20/25			